



DRAWER LATCHES

(See pages 467–470)

- Securely pull and lock two components together
- Operated by hand and are quick and easy to use
- Suitable for a wide variety of uses including containers, packaging and industrial cleaning machines

The logo for Mess, featuring the word "Mess" in a bold, italicized sans-serif font, enclosed within a white circle that is part of a larger green circular graphic.

Mess[®]



LOCKS, LATCHES, CATCHES AND HINGES

Locks

418-444



Display Locks

445-450



Compression Locks

451-463



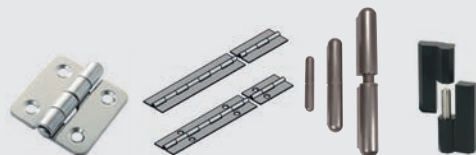
Latches and Catches

464-474



Hinges

475-519

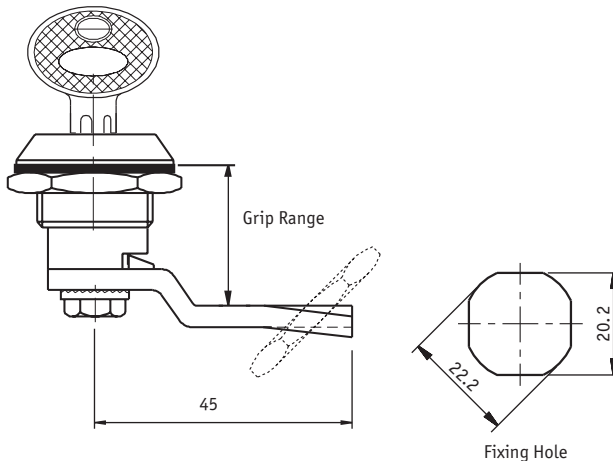


Cylinder Cam Locks

SR 5516

Die-Cast Zinc Alloy

- Keyed Alike / Keyed Different / Master key options
- Master Key version is keyed different with a masterkey that will open all locks
- Master keys must be ordered separately
- Two keys supplied with every lock



Chrome Plated Die-Cast Zinc Housing



Black Powder Coated Die-Cast Zinc Housing



Polyamide 30% Glass Fibre Reinforced Housing



Chrome Plated Die-Cast Zinc Housing

Keyed Alike	Keyed to Differ	Master Key System	Grip Range (mm)	Std Pack Qty
468283	493366	493378	8.5	50
468284	493367	493379	14.5	50
468285	493368	493380	18.5	50
468286	493369	493381	20.5	50
468287	493370	493382	24.5	50
468288	493371	493383	26.5	50

All dimensions in mm

Black Powder Coated Die-Cast Zinc Housing

Part Number			Grip Range (mm)	Std Pack Qty
Keyed Alike	Keyed to Differ	Master Key System		
468289	493372	493384	8.5	50
468290	493373	493385	14.5	50
468291	493374	493386	18.5	50
468292	493375	493387	20.5	50
468293	493376	493388	24.5	50
468294	493377	493389	26.5	50

Polyamide 30% Glass Fibre Reinforced Housing

Part Number	Grip Range (mm)	Std Pack Qty
468295	8.5	50
468296	14.5	50
468297	18.5	50
468298	20.5	50
468299	24.5	50
468300	26.5	50

Master Key

Part Number	Description	Std Pack Qty
601262	Master Key	2

IP65 Quarter Turn Latches with Spring

SR 5530

Die-Cast Zinc Alloy

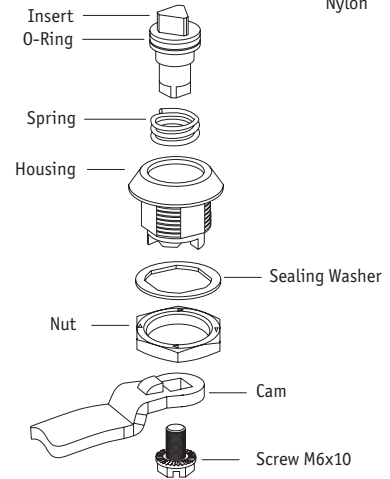
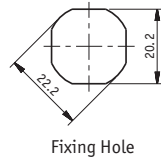
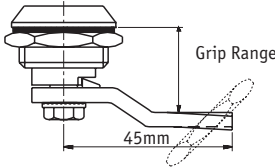
- Ideal for use on electrical cabinets and enclosures
- 6 Headstyles and 7 grip ranges available



Black Powder Coated

Chrome Plated

Nylon



3mm Double Bit



5mm Double Bit



7mm Triangle



8mm Square



8mm Triangle



Slotted

All dimensions in mm

Part Number			Head Style	Grip Range (mm)	Std Pack Qty
Chrome Plated	Black Powder Coated	Nylon Housing			
468393	468423	492958	3 mm Double Bit	8.5	50
468394	468424	492959	3 mm Double Bit	14.5	50
468395	468425	492960	3 mm Double Bit	18.5	50
468396	468426	492961	3 mm Double Bit	24.5	50
468397	468427	492962	3 mm Double Bit	26.5	50
468398	468428	492963	3 mm Double Bit	28.5	50
468399	468429	492964	5 mm Double Bit	8.5	50
468400	468430	492965	5 mm Double Bit	14.5	50
468401	468431	492966	5 mm Double Bit	18.5	50
468402	468432	492967	5 mm Double Bit	24.5	50
468403	468433	492968	5 mm Double Bit	26.5	50
468404	468434	492969	5 mm Double Bit	28.5	50
468405	468435	492970	8 mm Square	8.5	50
468406	468436	492971	8 mm Square	14.5	50
468407	468437	492972	8 mm Square	18.5	50
468408	468438	492973	8 mm Square	24.5	50
468409	468439	492974	8 mm Square	26.5	50
468410	468440	492975	8 mm Square	28.5	50
491449	-	-	7 mm Triangle	8.5	50
491450	-	-	7 mm Triangle	14.5	50
491451	-	-	7 mm Triangle	18.5	50
491452	-	-	7 mm Triangle	24.5	50
491453	-	-	7 mm Triangle	26.5	50
491454	-	-	7 mm Triangle	28.5	50
468411	468441	492976	8 mm Triangle	8.5	50
468412	468442	492977	8 mm Triangle	14.5	50
468413	468443	492978	8 mm Triangle	18.5	50
468414	468444	492979	8 mm Triangle	24.5	50
468415	468445	492980	8 mm Triangle	26.5	50
468416	468446	492981	8 mm Triangle	28.5	50
468417	468447	492982	Slotted	8.5	50
468418	468448	492983	Slotted	14.5	50
468419	468449	492984	Slotted	18.5	50
468420	468450	492985	Slotted	24.5	50
468421	468451	492986	Slotted	26.5	50
468422	468452	492987	Slotted	28.5	50

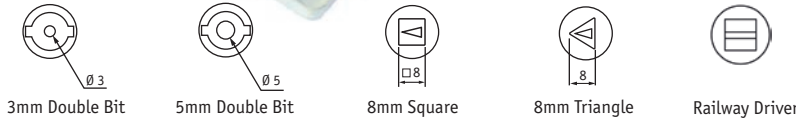
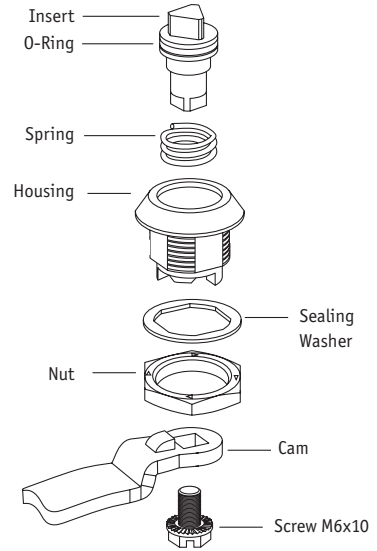
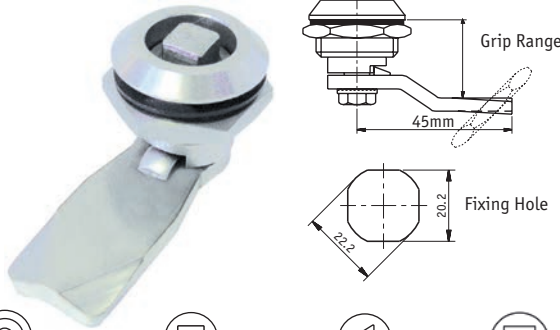
Stainless Steel Qtr Turn with Spring

SR 5560

Stainless Steel AISI 304

- Ideal for outdoor cabinets and enclosures
- Seals to IP65

Moss

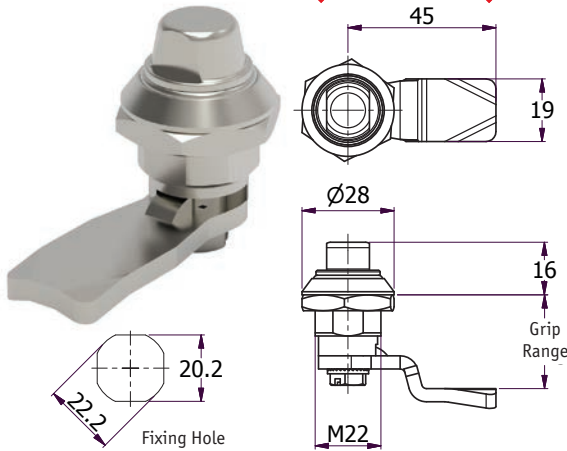


		Part Number			Grip Range (mm)	Std Pack Qty
3mm Double Bit	5mm Double Bit	8mm Square	8mm Triangle	Railway Driver		
491897	491893	491901	491905	491909	14.5	50
491989	491894	491902	491906	491910	18.5	50
491899	491895	491903	491907	491911	24.5	50
491900	491896	491904	491908	491912	26.5	50

Anti Contamination Quarter Turn Lock

SR6416

Lock - Stainless Steel

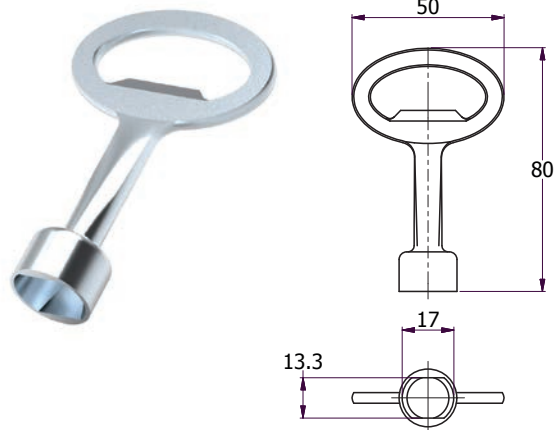


Part Number	Grip Range (mm)	Std Pack Qty
551538	8.5	20
551539	14.5	20
551540	18.5	20
551541	24.5	20
551542	26.5	20
551543	28.5	20

Key for Anti Contamination Quarter Turn Lock

SR6416

Key - Die-Cast Zinc Alloy - Chrome Plated



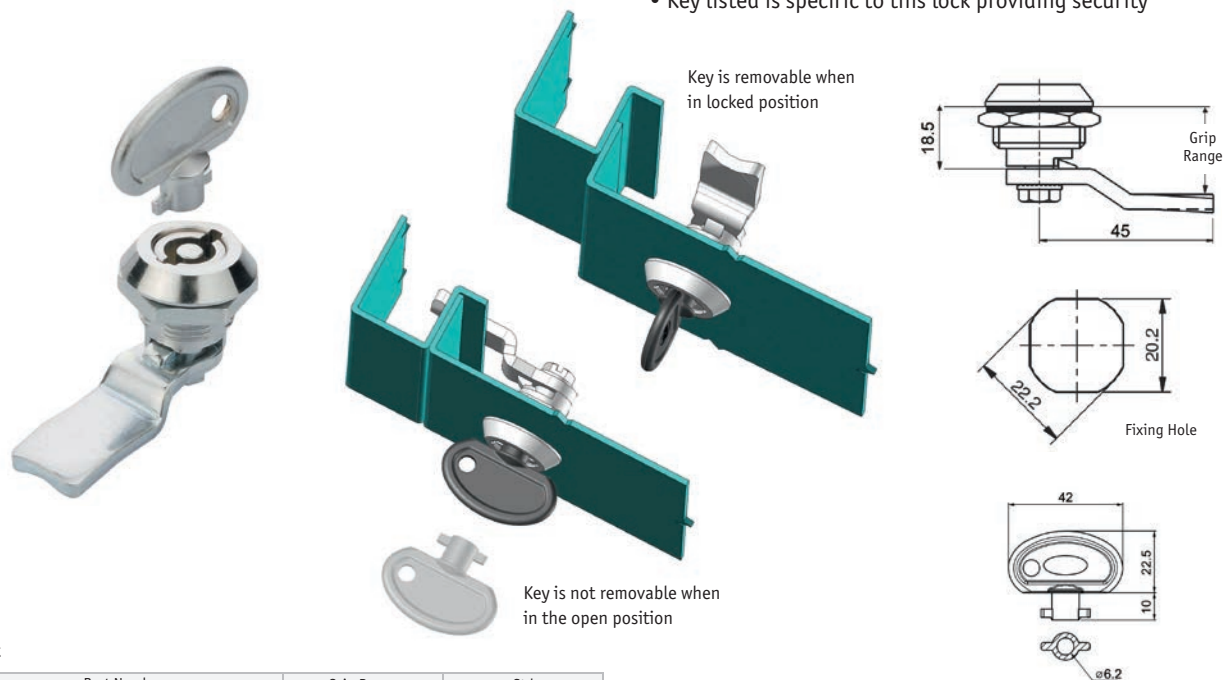
Part Number	Std Pack Qty
551544	50

Secure Quarter Turn Locks

SR 5540

Chrome Finish Die-Cast Zinc Alloy

- Designed to improve the safety of machinery and enclosures
- When the lock is in the open position, the key acts as a knob
- Key listed is specific to this lock providing security



Lock

Part Number		Grip Range (mm)	Std Pack Qty
Chrome Plated	Black Coated		
491480	491484	14.5	50
491479	491483	18.5	50
491481	491485	24.5	50
491482	491486	26.5	50

Key

Part Number		Std Pack Qty
Chrome Plated	Black Coated	
491487	491488	50

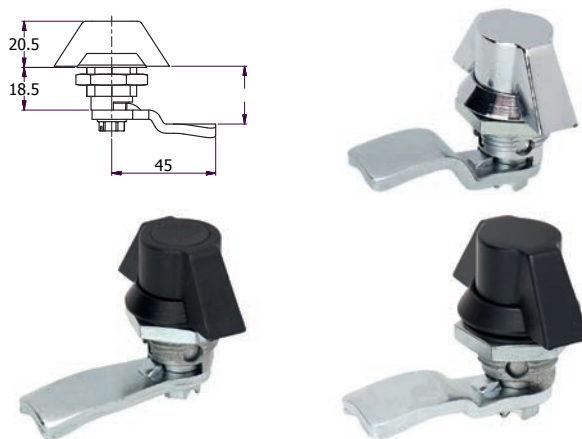
Cam Locks with Wing Knobs

SR 5478

Die-Cast Zinc Alloy or Polyamide

- Quarter turn operation
- Left-hand and right-hand application is possible
- Includes stainless steel dust cap

Part Number		Finish	Grip Range (mm)	Std Pack Qty
Die-Cast Zinc Alloy	Polyamide			
498156	-	Chrome	8.5	50
498157	-	Chrome	14.5	50
498158	-	Chrome	18.5	50
498159	-	Chrome	24.5	50
498160	-	Chrome	26.5	50
498161	-	Chrome	28.5	50
498162	-	Black Coated	8.5	50
498163	-	Black Coated	14.5	50
498164	-	Black Coated	18.5	50
498165	-	Black Coated	24.5	50
498166	-	Black Coated	26.5	50
498167	-	Black Coated	28.5	50
-	498168	Black	8.5	50
-	498169	Black	14.5	50
-	498170	Black	18.5	50
-	498171	Black	24.5	50
-	498172	Black	26.5	50
-	498173	Black	28.5	50



Quarter Turn Latch with Wing Knob

Moss

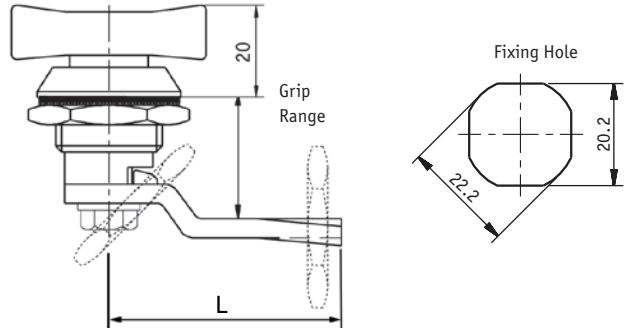
SR 5522

- Supplied with rubber gasket for good seal



Type 1

Type 2



Type 1 (Die-Cast Zinc Alloy Body, Steel Cam)

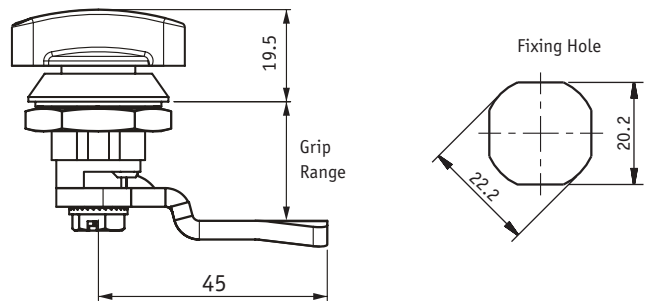
Part Number		Grip Range (mm)	L (mm)	Std Pack Qty
Chrome Plated	Black Powder Coated			
468325	468331	8.5	45	50
468326	468332	14.5	45	50
468327	468333	18.5	45	50
468328	468334	24.5	45	50
468329	468335	26.5	45	50
468330	468336	28.5	45	50

Type 2 (Polyamide Body, Polyamide Cam)

Part Number	Grip Range (mm)	L (mm)	Std Pack Qty
468337	18.5	35	50
468338	24.5	35	50
468339	22.5	45	50
468340	18.5	25	50



Type 3



Type 3 (Die-Cast Zinc Alloy, Steel Cam)

Part Number		Grip Range (mm)	Std Pack Qty
Chrome Plated	Black Powder Coated		
468512	468518	8.5	50
468513	468519	14.5	50
468514	468520	18.5	50
468515	468521	24.5	50
468516	468522	26.5	50
468517	468523	28.5	50

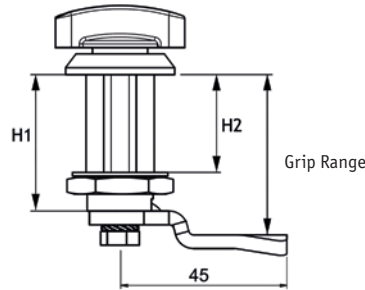
Qtr Turn Latch with Wingknob - Long Housing

SR 5523

Body: Die-Cast Zinc Alloy

Cam: Steel

- Ideal for sound-proof or isolated doors
- Supplied with rubber sealing gasket



H2 = Maximum Panel Thickness



Chrome Plated



Black Coated

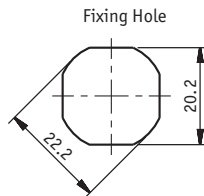
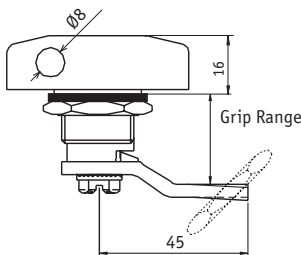
Part Number		Grip Range (mm)	Dimensions (mm)		Std Pack Qty
Chrome Plated	Black Coated		H1	Max Panel Thickness	
491455	491458	28	30	20	50
491456	491459	30	30	20	50
491457	491460	33	30	20	50
491461	491464	38	40	30	50
491462	491465	40	40	30	50
491463	491466	43	40	30	50
491467	491470	48	50	40	50
491468	491471	50	50	40	50
491469	491472	53	50	40	50
491473	491476	58	60	50	50
491474	491477	60	60	50	50
491475	491478	63	60	50	50

Wing Knob with Padlock Fitting

SR 5520

Chrome Plated Die-Cast Zinc Alloy with Steel Cam

- Rubber Gasket for good seal

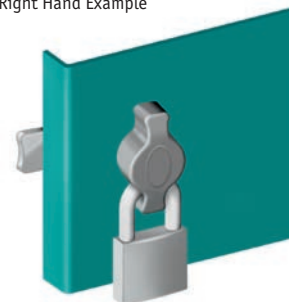


All dimensions in mm

Part Number		Grip Range (mm)	Std Pack Qty
Right Hand Door	Left Hand Door		
468313	468319	8.5	50
468314	468320	14.5	50
468315	468321	18.5	50
468316	468322	24.5	50
468317	468323	26.5	50
468318	468324	28.5	50



Right Hand Example

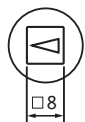
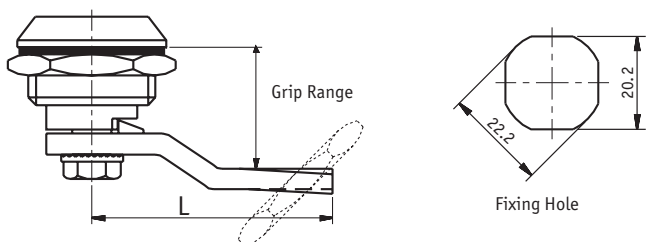


Plastic Quarter Turn with Spring

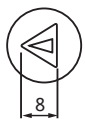
SR 5531

Polyamide 30% Glass Fibre Reinforced

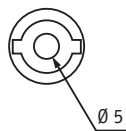
- Seals to IP65
- Lightweight alternative to SR5530



8mm Square



8mm Triangle



5mm Double Bit



Slotted

Plastic Quarter Turn with Metal Lock Nut

Part Number				Grip Range (mm)	L (mm)	Std Pack Qty
5mm Double Bit	8mm Square	8mm Triangle	Slotted			
468453	468457	468461	468465	18.5	35	50
468454	468458	468462	468466	24.5	35	50
468455	468459	468463	468467	22.5	45	50
468456	468460	468464	468468	18.5	25	50

All dimensions in mm

Plastic Lock Nut

Part Number	Std Pack Qty
468532	300

Easy Fixing Quarter Turn Lock

SR6415

Polyamide - Black

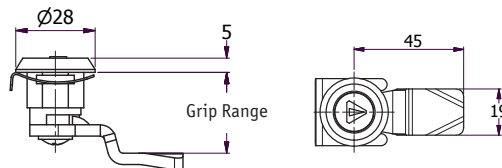
Cam :

Type 1 - Material Steel / Finish Zinc plated

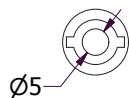
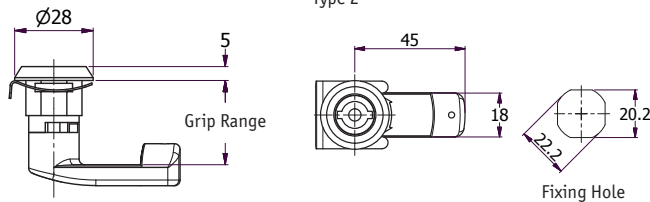
Type 2 - Material Plastic Black



Type 1



Type 2



5mm Double Bit



8mm Square



8mm Triangle



Slotted

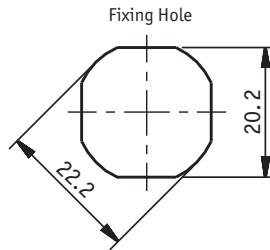
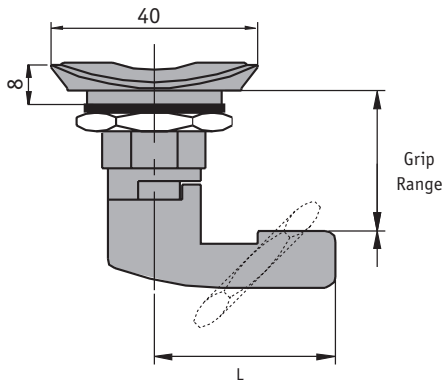
Part Number				Type	Grip Range (mm)	Std Pack Qty
5mm Double Bit	8mm Square	8mm Triangle	Slotted			
551506	551514	551527	551535	1	8.5	50
551507	551515	551523	551531	1	14.5	50
551508	551516	551522	551530	1	18.5	50
551509	551517	551528	551536	2	18.5	50
551510	551518	551529	551537	2	22.5	50
551511	551519	551524	551532	1	24.5	50
551512	551520	551525	551533	1	26.5	50
551513	551521	551526	551534	1	28.5	50

Plastic Lock with Finger Grips

SR 5524

Polyamide

- Type 1 is IP65
- Finger grips allow user to pull door open
- Type 2 to suit 0.8-1.8mm panel thickness

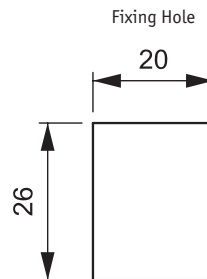
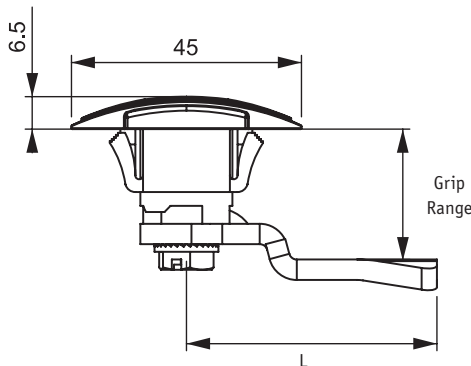


Lock Nut Style

Lock Nut Style

5mm Double Bit

Part Number	Grip Range (mm)	L (mm)	Std Pack Qty
468341	18.5	35	50
468342	24.5	35	50
468343	22.5	45	50
468344	18.5	25	50



Snap In Style

Snap in Style

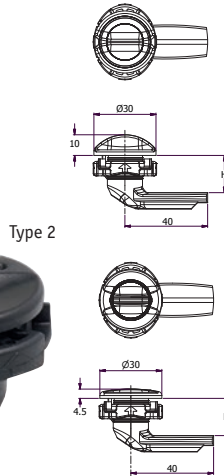
Part Number		Grip Range (mm)	L (mm)	Std Pack Qty
5mm Double Bit	Euro Key (5333)			
468490	468494	18.5	35	50
468491	468495	24.5	35	50
468492	468496	22.5	45	50
468493	468497	18.5	25	50

All dimensions in mm

Clip On Quarter Turn Latches

SR 5470

Black Polyamide



- Includes body and clip
- Tool-less assembly for quick and easy mounting
- Up to 90° rotation angle
- Latch can be mounted onto doors with thickness of up to 6mm
- For lightweight door applications



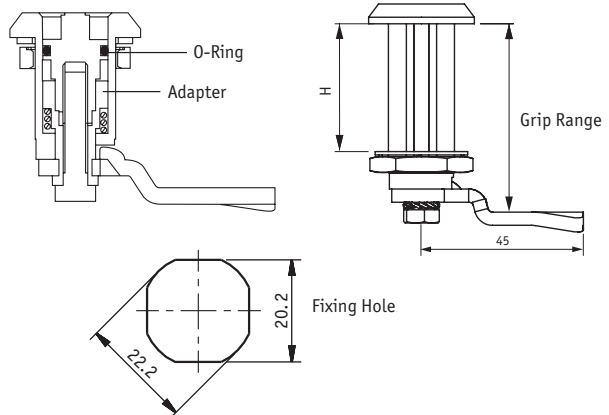
Part Number	Type	Dimensions (mm)		Style	Std Pack Qty
		H			
497579	1	13.5		Cranked	25
497580	1	18		Straight	25
497583	1	25		Straight	25
497581	2	13.5		Cranked	25
497582	2	18		Straight	25

Cover Locks

SR 5526

Die-Cast Zinc Alloy

- Suitable for use on thick panels such as insulated panels
- 5mm Double Bit Head
- Chrome Plated Finish
- Seals to IP65
- Supplied with rubber sealing gasket



H = Max Panel Thickness (mm)

Part Number	Max Panel Thickness (mm)	Grip Range (mm)	Std Pack Qty
468349	20	30	50
468350	20	34	50
468351	20	36	50
468352	20	38	50
468353	20	40	50
468354	30	40	50
468355	30	44	50
468356	30	46	50
468357	30	48	50
468358	30	50	50
468359	40	50	50
468360	40	54	50
468361	40	56	50
468362	40	58	50
468363	40	60	50
468364	50	60	50
468365	50	64	50
468366	50	66	50
468367	50	68	50
468368	50	70	50

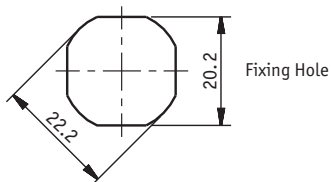
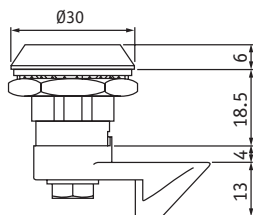


Slam Shut Quarter Turn Locks

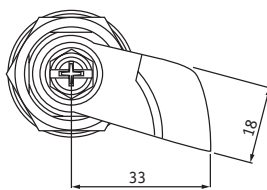
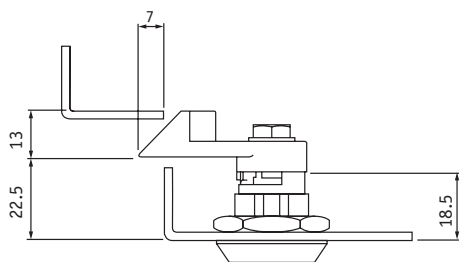
SR 5525

Die-Cast Zinc Alloy with Steel Cam

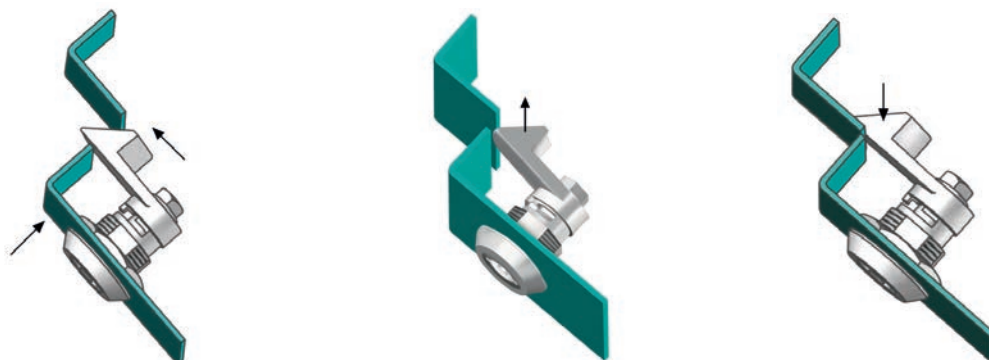
- Chrome plated finish
- 5mm double bit head
- Sprung cam lifts and returns when door is closed



Left Hand



Right Hand



As the panel door is pushed to, the cam rises and then springs down behind the panel wall

All dimensions in mm

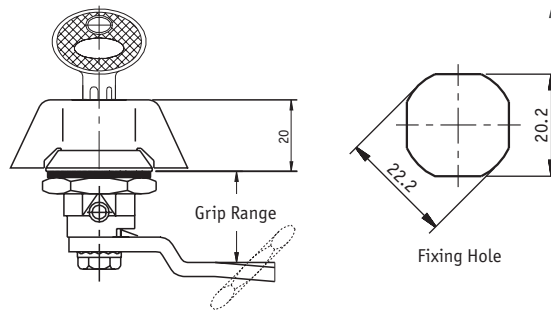
Part Number		Std Pack Qty
Left Hand 468499	Right Hand 468498	50

Cylinder Cam Lock with Wing Knob

SR 5514

Die-Cast Zinc Alloy

- Supplied with two standard Euro Keys (5333)



Die-Cast-Zinc Alloy

Part Number		Grip Range (mm)	Std Pack Qty
Chrome Plated	Black Powder Coated		
468265	468271	8.5	50
468266	468272	14.5	50
468267	468273	18.5	50
468268	468274	24.5	50
468269	468275	26.5	50
468270	468276	28.5	50

Die-Cast Zinc Alloy over-moulded with Black Polyamide

Part Number	Grip Range (mm)	Std Pack Qty
468277	8.5	50
468278	14.5	50
468279	18.5	50
468280	24.5	50
468281	26.5	50
468282	28.5	50

All dimensions in mm

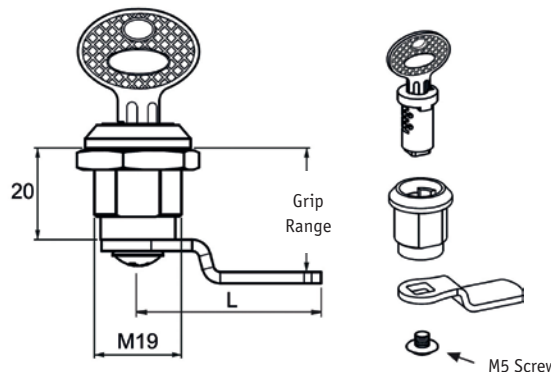
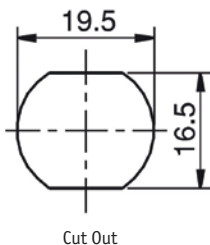
Large Chrome Cam Locks

SR 5541

Body: Chrome Plated Die-Cast Zinc Alloy

Cam: Steel

- Large Cut Out compared to Mini Cams Locks
- Ideal for flight cases, steel cupboards and drawers etc
- Key rotation angle of 90 degree
- Supplies with two keys
- Available as keyed alike or keyed to differ



Part Number		Grip Range (mm)	L (mm)	Std Pack Qty
Keyed Alike	Keyed Differ			
491836	491839	20	33	100
491528	491838	20	43	100
491837	491840	27	40	100

Cam Locks

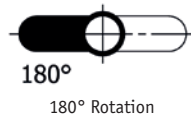
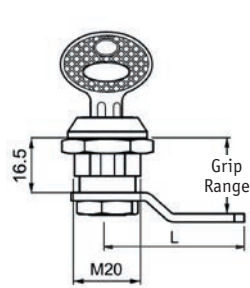
SR 5542

Chrome Finish Die-Cast Zinc Alloy

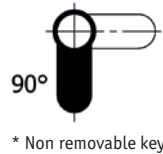
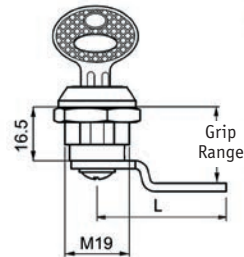
- Type 1 is keyed different
- Type 2 has non-removable key
- Type 3 is keyed alike (5333) and key can only be removed in locked position
- Supplied with 2 keys



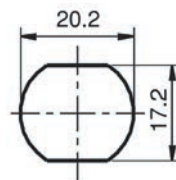
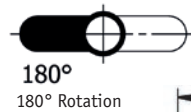
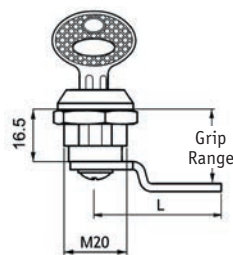
Type 1



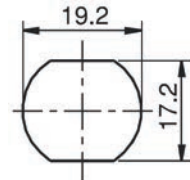
Type 2



Type 3



Cut out for type 1 & 3



Cut out for type 2

Part Number	Type	Key Rotational Angle	Grip Range (mm)	L (mm)	Mounting Hole Size	Std Pack Qty
491523	1	180	16.5	33	M20	50
491522	1	180	16.5	38	M20	50
491524	1	180	23.5	47	M20	50
491526	2	90	16.5	33	M19	50
491525	2	90	16.5	43	M19	50
491527	2	90	23.5	40	M19	50
491520	3	180	16.5	33	M20	50
491519	3	180	16.5	43	M20	50
491521	3	180	23.5	40	M20	50

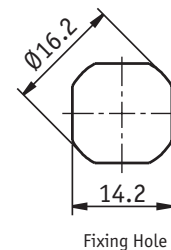
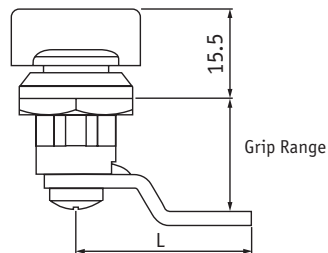
All dimensions in mm

Mini Cam Locks with Wing Knobs

SR 5529

Die-Cast Zinc Alloy

Mess



Part Number		Grip Range (mm)	L (mm)	Std Pack Qty
Chrome Plated	Black Powder Coated			
468387	468390	13.5	33	50
468388	468391	20.5	30	50
468389	468392	19.5	25	50

All dimensions in mm

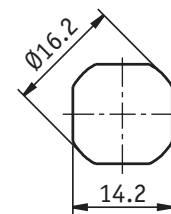
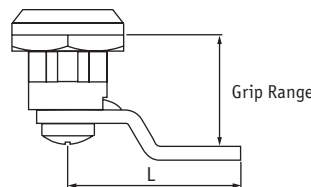
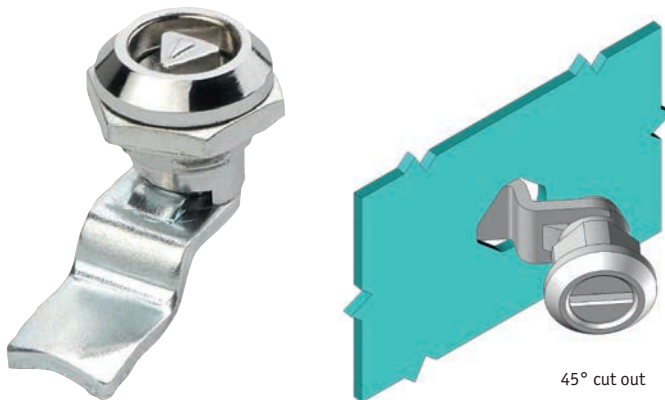
Mini Qtr Turn Latches with 45° Housing

SR 5527

Die-Cast Zinc Alloy

Mess

- Specially designed internal spring provides 1mm of torsion
- Cam sits at a 45 degree angle to the housing



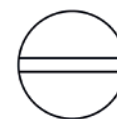
45° cut out



6mm Square



7mm Triangle



Slotted

Part Number		Head Style	Grip Range (mm)	L (mm)	Std Pack Qty
Chrome Plated	Black Coated				
491489	491498	6 mm Square	13.5	33	50
491490	491499	6 mm Square	20.5	30	50
491491	491500	6 mm Square	19.5	25	50
491492	491501	7 mm Triangle	13.5	33	50
491493	491502	7 mm Triangle	20.5	30	50
491494	491503	7 mm Triangle	19.5	25	50
491495	491504	Slotted	13.5	33	50
491496	491505	Slotted	20.5	30	50
491497	491506	Slotted	19.5	25	50

Mini Quarter Turn Locks

SR 5528

Die-Cast Zinc Alloy

Type 1 - Fixed with lock nut



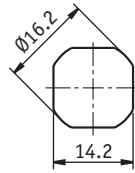
6mm Square



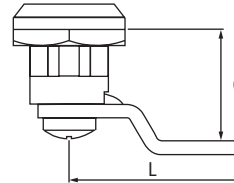
7mm Triangle



Slotted



Fixing Hole



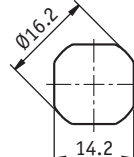
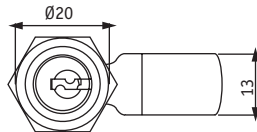
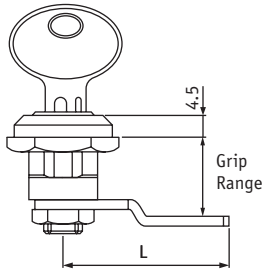
Grip Range



Type 1 with Spring Action

Part Number		Type	Head Style	Grip Range (mm)	L (mm)	Std Pack Qty
Chrome Plated	Black Powder Coated					
468369	468378	1	6 mm Square	13.5	33	100
468370	468379	1	6 mm Square	20.5	30	50
468371	468380	1	6 mm Square	19.5	25	50
468372	468381	1	7 mm Triangular	13.5	33	50
468373	468382	1	7 mm Triangular	20.5	30	50
468374	468383	1	7 mm Triangular	19.5	25	50
468375	468384	1	Slotted	13.5	33	50
468376	468385	1	Slotted	20.5	30	50
468377	468386	1	Slotted	19.5	25	50

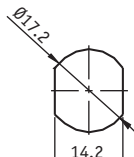
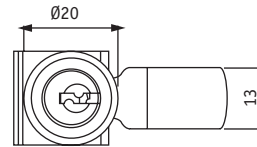
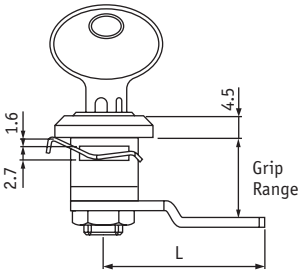
Type 2 - Fixed with nut



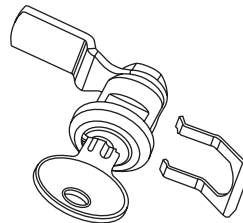
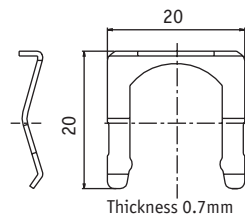
Fixing Hole



Type 3 - Fixed with clip



Fixing Hole



- Supplied with two standard Euro keys (5333)

Types 2 and 3 without Spring Action

Chrome Plated with Euro Key (5333)

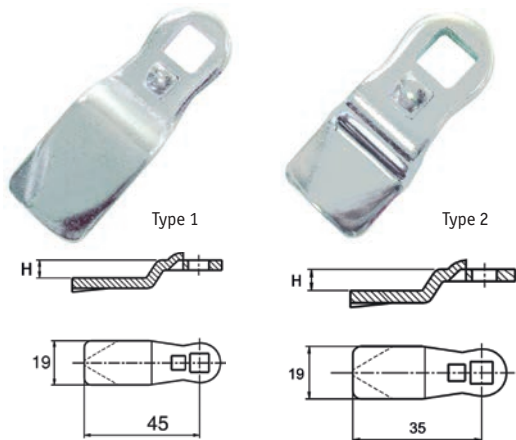
Part Number	Type	Grip Range (mm)	L (mm)	Std Pack Qty
468524	2	13	31	100
468525	2	16	30	100
468526	2	20	26	100
468527	3	13	31	100
468488	3	16	30	100
468489	3	20	26	100

All dimensions in mm

Replacement Cams

SR 5533

Zinc Plated Steel



- Suitable for all standard quarter turns and cam locks
- Provide alternative grip range if used with pre-assembled locks
- Cams in this range are additional and all locks throughout the catalogue are provided with the cam stated for each SR range

Cam 1: 45mm

Part Number	Type	Dimensions (mm)			Std Pack Qty
		H	Grip Range	Thickness	
491440	1	3	21.5 *	4	250
491441	1	4	22.5 *	4	250
491442	1	-2	16.5 *	4	250
491443	1	-6	12.5 *	4	250
491444	1	-8	10.5 *	4	250

* For SR 5514, 5518, 5522, 5523, 5525, 5530, 5532, 5537, 5560

Cam 2: 35mm

Part Number	Type	Dimensions (mm)			Std Pack Qty
		H	Grip Range	Thickness	
491448	2	10	28.5 *	4	250
491447	2	6	24.5 *	4	250
491446	2	0	18.5 *	4	250
491445	2	-2	16.5 *	4	250

* For SR 5514, 5518, 5522, 5523, 5525, 5530, 5532, 5537, 5560

Actuator Plate

SR 5533

Zinc Plated Steel



- 3 point locking actuator plate
- Designed to fit with all standard cams, allowing for multiple locking points

Part Number	Std Pack Qty
468510	50

Keys

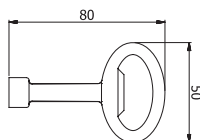
SR 5501

Chrome Plated Zinc Alloy or Polyamide

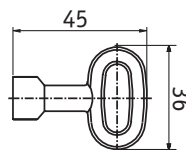
- Type 1: Large key for quarter turn locks only
- Type 2: Small key for Mini Cam locks & Quarter Turns



Type 1



Type 2



5mm Double Bit



3mm Double Bit



6mm Square



7mm Square



8mm Square



7mm Triangle



8mm Hexagon Security Key



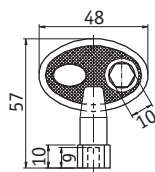
Tubular Key



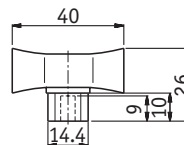
8mm Triangle



Type 3



Type 4



All dimensions in mm

Part Number	Head Style	Type	Material	Std Pack Qty
496228	3 mm Double Bit	1	Chrome Plated	10
496229	5 mm Double Bit	1	Chrome Plated	10
496230	7mm Square	1	Chrome Plated	10
496231	8 mm Square	1	Chrome Plated	10
496232	7 mm Triangle	1	Chrome Plated	10
496233	8 mm Triangle	1	Chrome Plated	10
496234	8 mm Hex. Security Key	1	Chrome Plated	10
468504	3 mm Double Bit	2	Chrome Plated	100
468505	5 mm Double Bit	2	Chrome Plated	100
468530	6 mm Square	2	Chrome Plated	100
468506	8 mm Square	2	Chrome Plated	100
468531	6.5/7 mm Triangle	2	Chrome Plated	100
468507	8 mm Triangle	2	Chrome Plated	100
468508	5 mm Double Bit	3	Polyamide	100
493017	Tubular Key	3	Chrome Plated	50
468509	5 mm Double Bit	4	Polyamide	100
601108	Euro Key (5333)	-	-	50

Quarter Turn Accessories

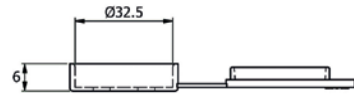
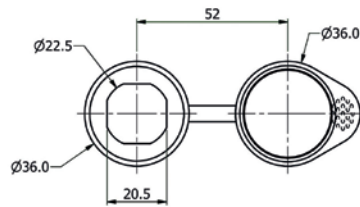
SR 5533

• For use with all locks with a 20.2 x 22.2 fixing hole

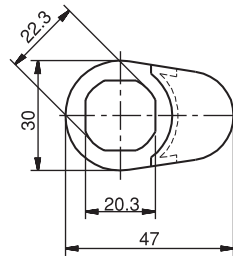
Moss



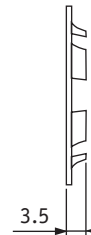
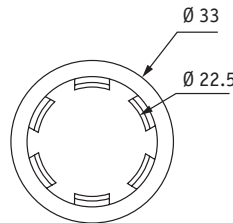
Dust Cap



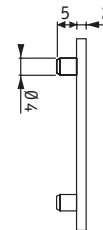
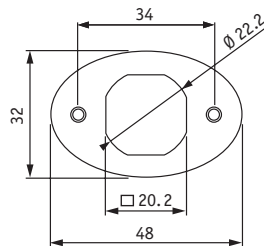
Lock Handle



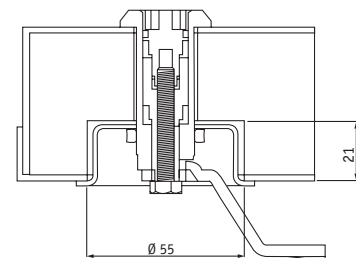
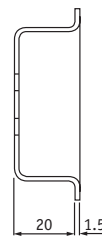
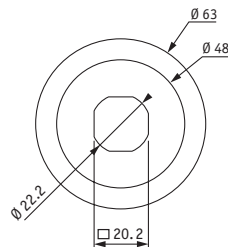
Fixing Device 1



Fixing Device 2



Spacer



All dimensions in mm

Part Number	Type	Material	Std Pack Qty
468475	Lock Handle	Polyamide	100
468476	Fixing Device 1	Spring Steel	100
468477	Fixing Device 2	Die Cast Zinc	100
468478	Spacer	Zinc Plated Steel	50
491166	Dust Cap	Polyurethane	50

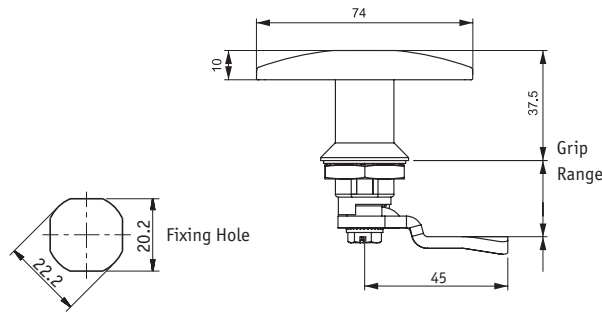
'T' & 'L' Handle Locks

SR 5518

Body: Die-Cast Zinc Alloy with over-moulded black polyamide or chrome finish

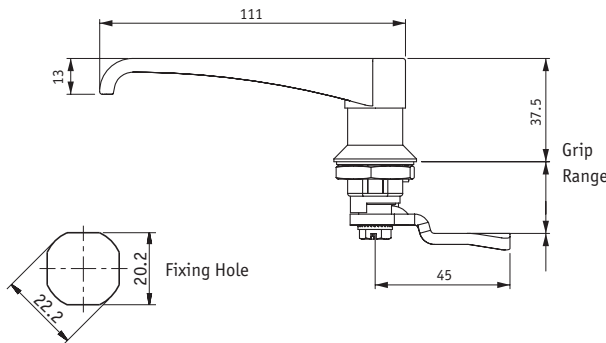
Cam: Steel

- Available as keyed alike (5333) or keyed different
- Supplied with two keys



'T' Handle Lock

Part Number					Grip Range (mm)	Std Pack Qty
Keyed Alike		Keyed Different				
Black	Chrome	Black	Chrome			
468301	491512	496141	496147	8.5	25	
468302	491508	496142	496148	14.5	25	
468303	491507	496143	496149	18.5	25	
468304	491509	496144	496150	24.5	25	
468305	491510	496145	496151	26.5	25	
468306	491511	496146	496152	28.5	25	



'L' Handle Lock

Part Number					Grip Range (mm)	Std Pack Qty
Keyed Alike		Keyed Different				
Black	Chrome	Black	Chrome			
468307	491518	496153	496159	8.5	25	
468308	491514	496154	496160	14.5	25	
468309	491513	496155	496161	18.5	25	
468310	491515	496156	496162	24.5	25	
468311	491516	496157	496163	26.5	25	
468312	491517	496158	496164	28.5	25	

All dimensions in mm

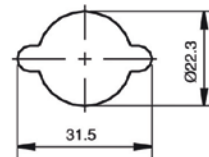
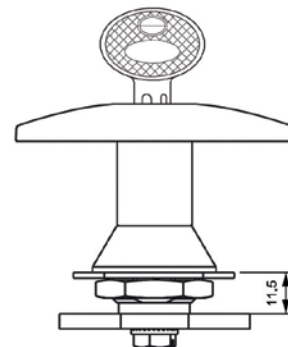
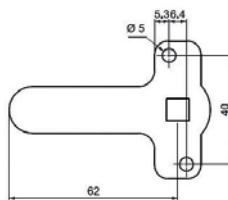
'T' & 'L' Handle Cabinet Lock

SR 5519

Body: Chrome Plated Die-Cast Zinc Alloy

Cam: Steel

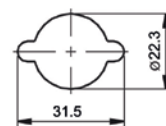
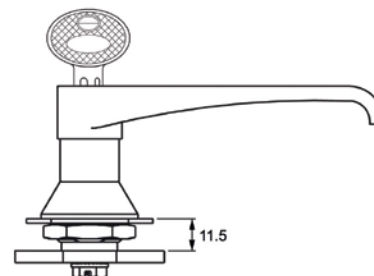
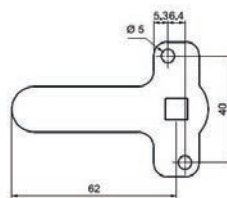
- Ideal for metal document cabinet
- Keyed different
- Supplied with two keys



Fixing Hole

'T' Handle Lock

Part Number	Style	Std Pack Qty
491841	Right Hand	25
491842	Left Hand	25



Fixing Hole

'L' Handle Lock

Part Number	Style	Std Pack Qty
491843	Right Hand	25
491844	Left Hand	25

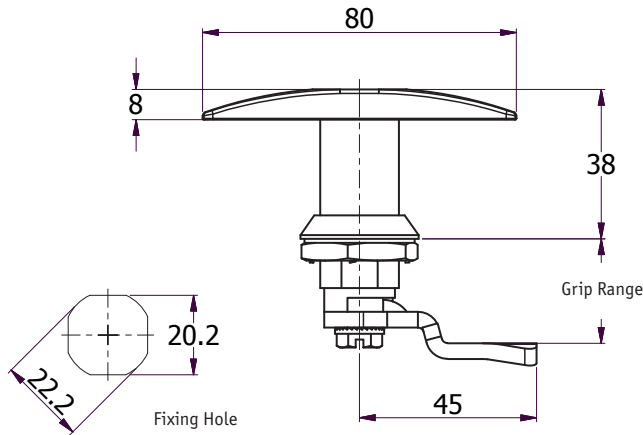
All dimensions in mm

T and L Quarter Turn Blind Latch

SR 6414

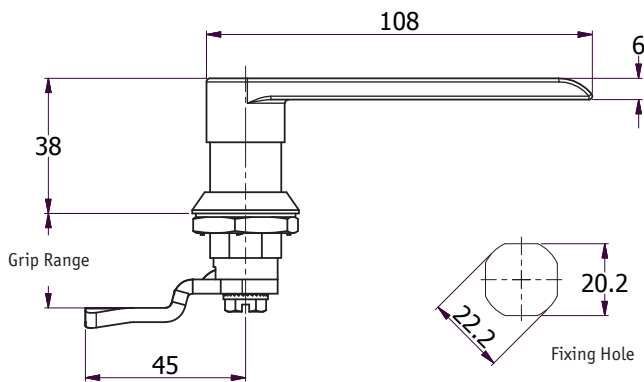
Stainless Steel 304

- Quarter turn operation



T Handle Latch

Part Number	Grip Range (mm)	Std Pack Qty
551505	8.5	25
551501	14.5	25
551500	18.5	25
551502	24.5	25
551503	26.5	25
551504	28.5	25



L Handle Latch

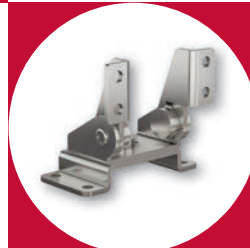
Part Number	Grip Range (mm)	Std Pack Qty
551499	8.5	25
551495	14.5	25
551494	18.5	25
551496	24.5	25
551497	26.5	25
551498	28.5	25

HEAVY DUTY COMPONENTS



◀ **Heavy duty
Paddle latch**
See page 440

**Torque hinges
(dual axis)** ▶
See page 516



◀ **Heavy duty
Paddle latch**
See page 440

**Heavy duty
designed hinges** ▶
See page 517



◀ **Low profile flush
pull handle**
See page 596

Cupboard Locks

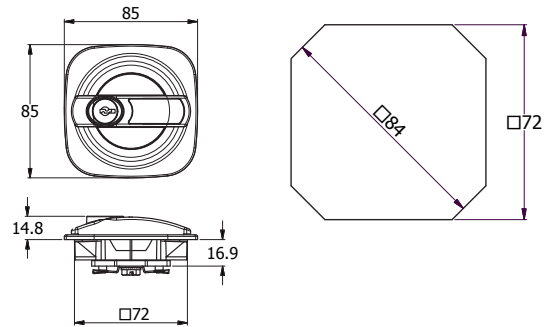
SR 5476

Die-Cast Zinc Alloy

- Steel knobbed cupboard lock with a plastic body
- Suitable for steel cupboards
- Rod assembly made easy by special fixing plate
- Clip on body aids assembly
- Includes stainless steel dust cap

Type 1 - Keyed Alike

Type 2 - Keyed Different



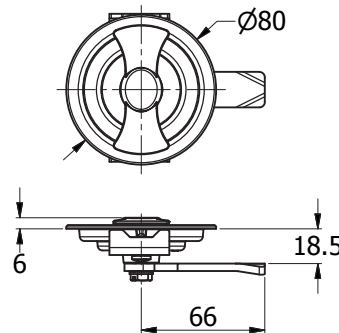
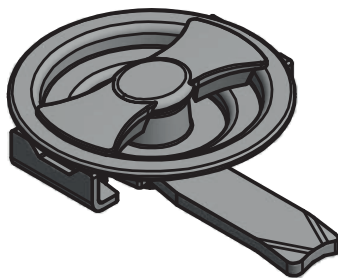
Part Number	Type	Finish	Std Pack Qty
498418	1	Chrome	20
498419	2	Chrome	20
498420	1	Black Coated	20
498421	2	Black Coated	20

Heavy Duty Cabinet Locks

SR 5481

Die-Cast Zinc Alloy

- Specialised fixing plate ensures easy fixing
- Flush design provides flat surface on cabinet
- Chrome finish



Part Number	Grip Range (mm)	Std Pack Qty
498174	18.5	50

Heavy Duty Paddle Latch

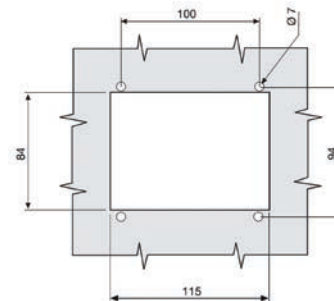
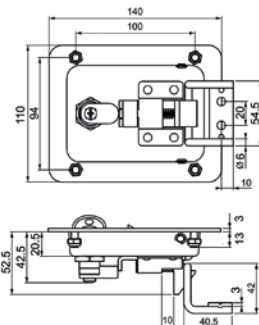
SR 5538

Body and Handle: Black Steel or Polyamide

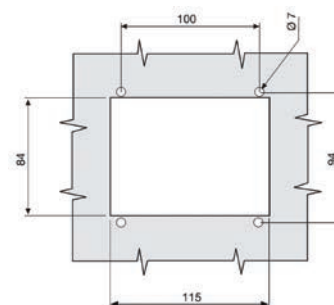
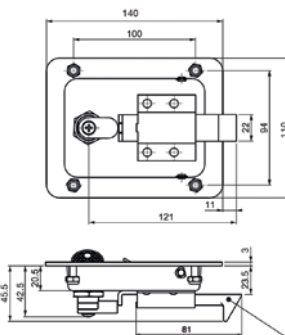
Cam: Steel or Brass

- Available in Eurokey or keyed different
- For all types: Lock can be opened from the inside by moving the cam
- Keyed alike with stainless steel shutter
- Supplied with one key 4444
- IP54

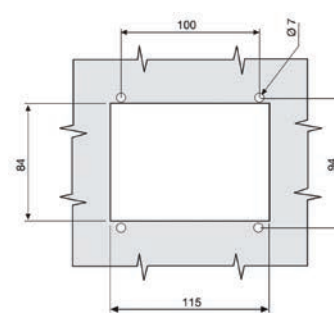
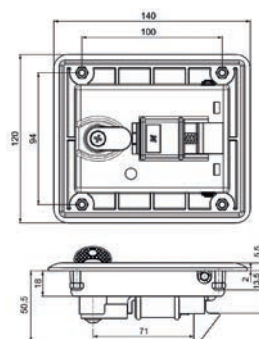
Type 1



Type 2



Type 3



Locking Device

Locking Device

Part Number	Body & Handle Material	Std Pack Qty
491434	Steel - Zinc Plated	1

Locks

Keyed Alike	Keyed Differ	Type	Style	With Seal	Locking Device Needed	Body & Handle Material	Cam Material	Std Pack Qty
491431	493412	1	Slam Shut Operation	Yes	Yes	Steel - Black Coated	Brass	1
491432	493413	2	Long Cam	Yes	No	Steel - Black Coated	Steel	1
491433	493414	3	Slam Shut Operation	No	Yes	Black Polyamide	Brass	1

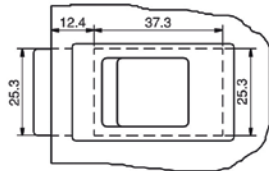
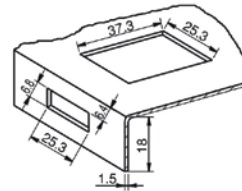
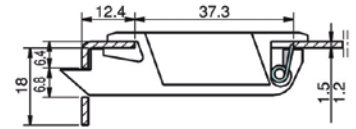
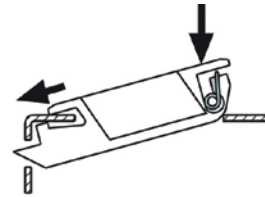
Sliding Locks

SR 5539

Body: ABS

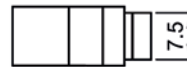
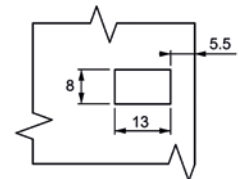
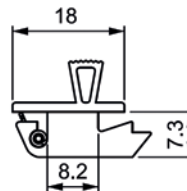
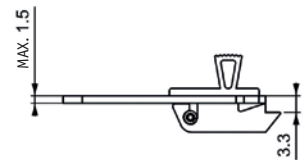
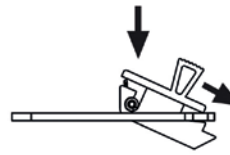
Spring: Stainless Steel

- Easy fixing
- Quick slide movement releases catch
- Mini Lock suitable for small panel doors



Sliding Lock

Part Number	Type	Max Panel Thickness (mm)	Std Pack Qty
491437	1	1.2	250
491438	2	1.5	250



Mini Sliding Lock

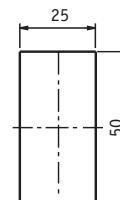
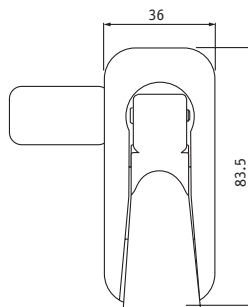
Part Number	Max Panel Thickness	Std Pack Qty
491439	1.5	250

Lift & Turn Cam Latches

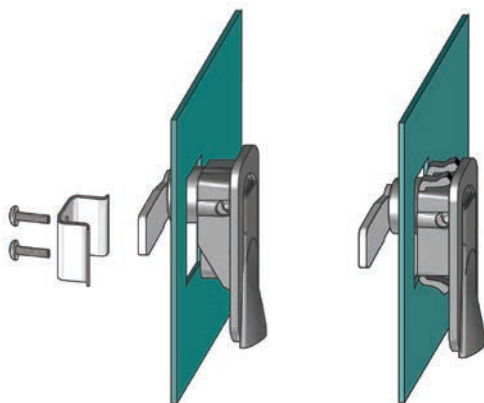
SR 5512

Polyamide Body

- Low profile handle stows away when not in use
- 90° rotation
- Simple assembly using bracket or snap in fixing

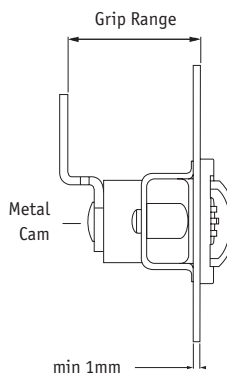


Fixing Hole

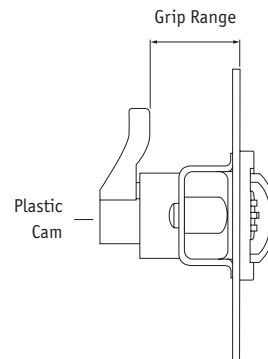


Type 1

Type 2



Type 1 - Screw on Fixing



Type 2 - Snap in Fixing

Suitable for panel thickness from 0.8 - 2.0mm

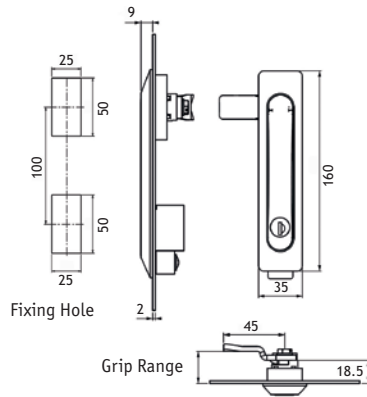
Part Number		Type	Grip Range (mm)	Cam Length (mm)	Cam Type	Std Pack Qty
Right Hand Door	Left Hand Door					
468249	468253	1	25	25	Plastic	50
468250	468254	1	29	43	Steel	50
468251	468255	1	36	40	Steel	50
468252	468256	1	39	37	Steel	50
468257	468261	2	25	25	Plastic	50
468258	468262	2	29	43	Steel	50
468259	468263	2	36	40	Steel	50
468260	468264	2	39	37	Steel	50

All dimensions in mm

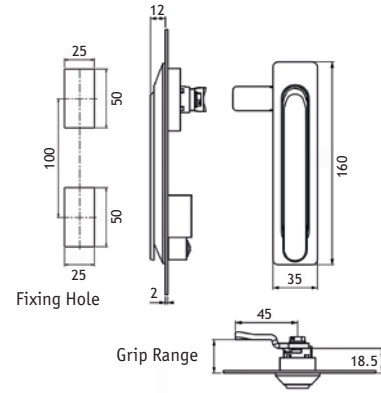
Large Swing Handles

SR5537

- Type 1 - Metal body handle is durable and secure
- Type 2 - All plastic version
- Available as keyed alike (5333) or keyed different
- Keyed versions have a stainless steel keyhole cover
- Slam action spring-loaded handle
- Can be used indoors or outdoors
- Ideal for cabinets and enclosures



Type 1



Type 2

Type 1

Black		Chrome		Grip Range (mm)	Body Material	Handle Material	Std Pack Qty
Keyed Alike	Keyed Different	Keyed Alike	Keyed Different				
491407	493394	-	-	24.5	Polyamide	Die-cast Zinc Alloy	5
491408	493395	-	-	26.5	Polyamide	Die-cast Zinc Alloy	5
491409	493396	-	-	28.5	Polyamide	Die-cast Zinc Alloy	5
491410	493397	491413	493400	24.5	Die-cast Zinc Alloy	Die-cast Zinc Alloy	1
491411	493398	491414	493401	26.5	Die-cast Zinc Alloy	Die-cast Zinc Alloy	1
491412	493399	491415	493402	28.5	Die-cast Zinc Alloy	Die-cast Zinc Alloy	1

Type 2

Part Number			Grip Range (mm)	Body Material	Handle Material	Std Pack Qty
Keyed Alike	Keyed Different	No Lock				
491416	493403	491419	24.5	Polyamide	Polyamide	5
491417	493404	491420	26.5	Polyamide	Polyamide	5
491418	493405	491421	28.5	Polyamide	Polyamide	5

Small Swing Handles

SR 5537

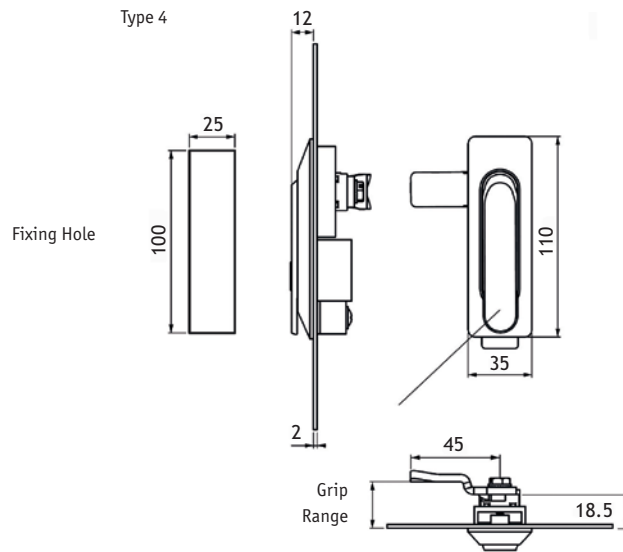
- Available with no lock, keyed alike or keyed different
- Keyed versions come supplied with two keys
- Keyed versions have a stainless steel dust cover on the lock



Type 4



Type 5



Type 4 & 5

No Lock	Part Number	Keyed to Differ	Type	Grip Range (mm)	Body Material	Handle Material	Std Pack Qty
	Keyed Alike						
491422	-	-	4	24.5	Polyamide	Polyamide	5
491423	-	-	4	26.5	Polyamide	Polyamide	5
491424	-	-	4	28.5	Polyamide	Polyamide	5
-	491425	493406	5	24.5	Polyamide	Die Cast Zinc Alloy	5
-	491426	493407	5	26.5	Polyamide	Die Cast Zinc Alloy	5
-	491427	493408	5	28.5	Polyamide	Die Cast Zinc Alloy	5
-	491428	493409	5	24.5	Polyamide	Polyamide	5
-	491429	493410	5	26.5	Polyamide	Polyamide	5
-	491430	493411	5	28.5	Polyamide	Polyamide	5

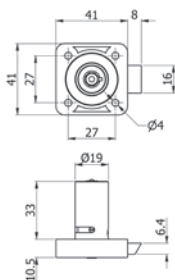
Drawer Lock, Sprung Bolt

Mess

SR 1887

Die-Cast Zinc Alloy

- High security, rim/surface fixing, sprung latch, slam shut drawer lock
- Recommended for wooden drawers
- For added security, the lock has an anti-drill centre and the key is removable only in the locked position



Part Number	Keying	Std Pack Qty
492858	Keyed alike	5

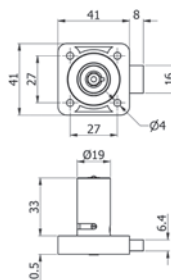
Drawer Lock, Dead Bolt

Mess

SR 1887

Die-Cast Zinc Alloy

- High security, rim/surface-fixing drawer lock
- Recommended for wooden drawers used to store valuable documents
- For added security, the lock has an anti-drill centre and the key is removable only in the locked position



Part Number	Keying	Std Pack Qty
492856	Keyed alike	5

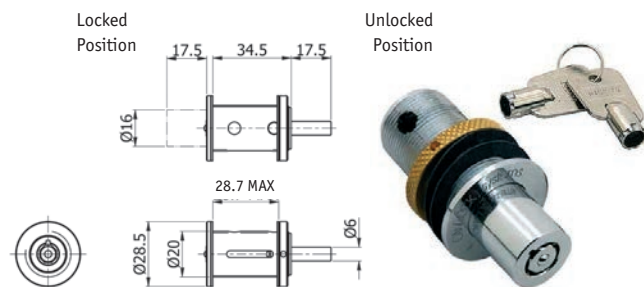
Pull Lock for Glass Doors

Mess

SR 1887

Die-Cast Zinc Alloy

- Fitted to the rear-most of two sliding glass doors, the inner body springs forward to prevent the doors opening
- Ideal for display cases containing high value items
- Also suitable for glass-fronted notice boards, etc
- The lock has an anti-drill centre



Part Number	Keying	Std Pack Qty
492860	Keyed alike	5

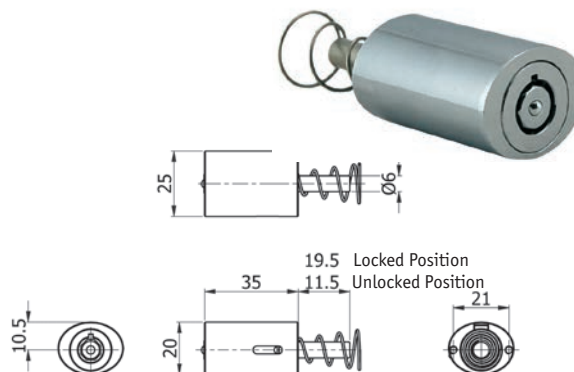
Bottom Rail Pushlock

Mess

SR 1887

Die-Cast Zinc Alloy

- Locks through the bottom rail of a sliding glass door
- The 'push to lock' action saves time in busy retail environments
- For added security, the lock has an anti-drill centre



Part Number	Keying	Std Pack Qty
492862	Keyed alike	5

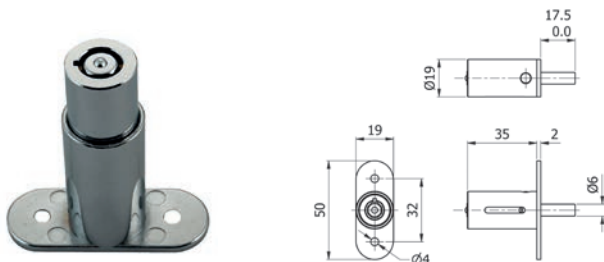
Pushlock, Flange Fixing

Mess

SR 1887

Die-Cast Zinc Alloy

- Designed specifically for sliding wooden doors, this pushlock is ideal for stock cupboards, counter units and wooden display cabinets
- The 'push to lock' action saves time in busy retail environments
- Offers a good level of security and has an anti-drill centre
- The key is removable only in the locked position



Part Number	Keying	Std Pack Qty
492864	Keyed alike	5

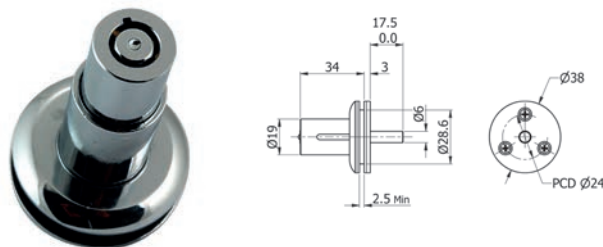
Pushlock for Glass Doors

Mess

SR 1887

Die-Cast Zinc Alloy

- A stylish pushlock offering a good level of security for sliding glass doors
- Ideal for display cases containing high value items
- The 'push to lock' action saves time in busy retail environments
- Lock has an anti-drill centre



Part Number	Keying	Std Pack Qty
492866	Keyed alike	5

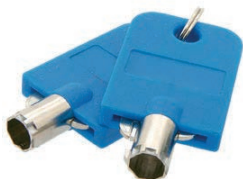
Replacement keys

Mess

SR 1887

Steel

- Should the tubular key to one of the locks be lost or stolen, or you would find it useful to have a spare, we can supply an accurate copy of the original
- For use with SR1887



Part Number	Std Pack Qty
492867	2

Key Tags

Mess

SR 1887

Plastic

- Very economical plastic key tag with inlay card, window and metal split ring
- Helps with good key management and security in retail premises
- Eight assorted colours



Part Number	Std Pack Qty
492905	100

Mess

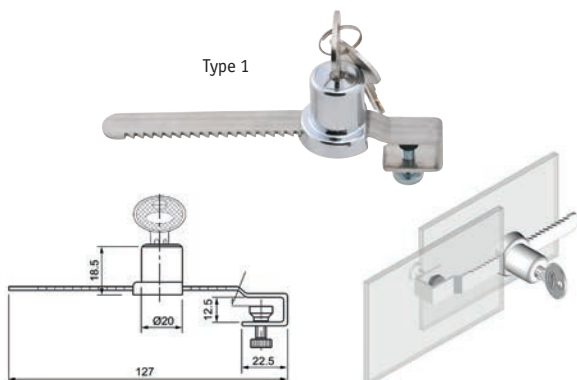
Furniture Locks

SR 5543

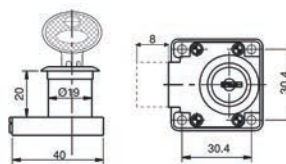
Type 1: Chrome Plated Steel body with Stainless Steel Slide

Type 2 & 3: Chrome Plated Steel

- Type 1: Ideal for glass doors
- Type 2: Wooden furniture locks suitable for drawers, cupboards, etc.
- Keyed different



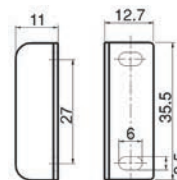
Type 1



Type 3



Type 2



Part Number	Type	Style	Std Pack Qty
491845	1	Glass Door Lock	25
491846	2	Wooden Lock	25
491847	3	Lock Catch	250

Rim Lock

SR 1887

Die-Cast Zinc Alloy

- A stylish lock for drawers, cabinets and hinged doors
- Offers above-average security for its type with 500 key combinations
- 2.5mm thick steel locking bolt and a removable lock cylinder

Mess



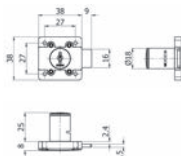
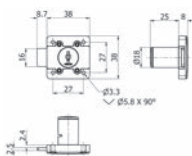
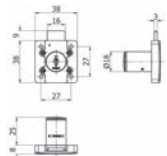
Vertical



For right hand door



For left hand door



Part Number	Type	Keying	Std Pack Qty
492872	Vertical bolt throw	Keyed alike	5
492873	Vertical bolt throw	Keyed to differ	5
492874	For right hand doors	Keyed alike	5
492875	For right hand doors	Keyed to differ	5
492876	For left hand doors	Keyed alike	5
492877	For left hand doors	Keyed to differ	5

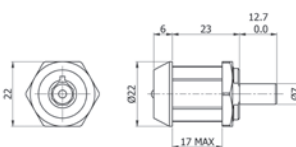
Pushlock, Nut Fixing

SR 1887

Die-Cast Zinc Alloy

- Radial pin tumbler lock offers a convenient 'push to lock, key to open' operation
- Fits a standard 19mm x 16mm 'double D' hole
- Suitable for applications such as sliding doors, display cabinets, security grilles and shutters
- Features enhanced key security and an anti-drill centre

Mess



Part Number	Keying	Std Pack Qty
492868	Keyed alike	5
492869	Keyed to differ	5

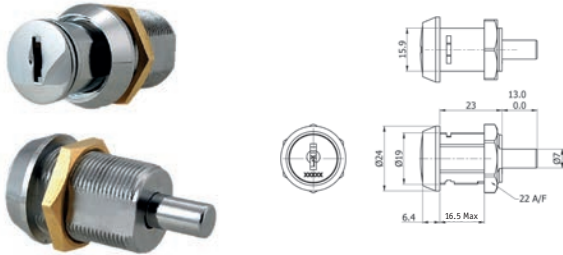
Budget Pushlock, Nut Fixing

Moss

SR 1887

Die-Cast Zinc Alloy

- The disc tumbler mechanism has a convenient 'push to lock, key to open' operation
- Lock movement is just 45°, with the key free in the open position
- Fits a standard 'double D' mounting hole
- Suitable for sliding doors, display cabinets and glass-fronted noticeboards



Part Number	Keying	Std Pack Qty
492870	Keyed alike	5

Budget Pushlock, Flange Fixing

Moss

SR 1887

Die-Cast Zinc Alloy

- Provides effective security through a reliable 'push to lock, key to open' operation
- Use to secure sliding doors and other frequently used applications
- The key can be withdrawn in the fully unlocked position, preventing locking when frequent access is required



Part Number	Keying	Std Pack Qty
492871	Keyed alike	5

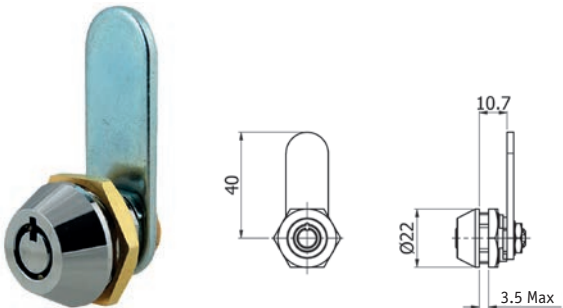
Cam Lock, Radial Pin Tumbler - Brass

Moss

SR 1887

Brass

- Offers excellent quality and reliability
- Finished to a high standard
- Suitable for use indoors and out
- Supplied in packs of 10



Part Number	Keying	Cam Type	Std Pack Qty
492878	Keyed alike	Type 1	10

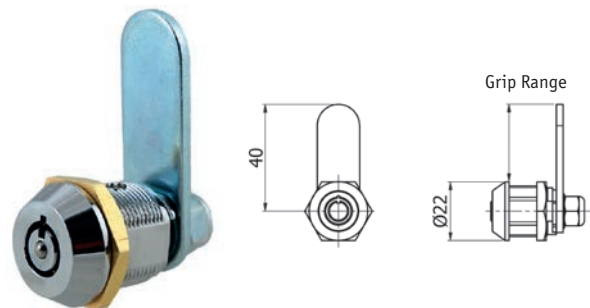
Cam Lock, Radial Pin Tumbler

Moss

SR 1887

Die-Cast Zinc Alloy

- A good quality cam lock with a die-cast alloy body
- Provides the security of a radial pin tumbler mechanism at a competitive price
- Supplied in packs of 10



Part Number	Grip Range (mm)	Keying	Cam Type	Std Pack Qty
492879	18.0	Keyed alike	Type 1	10
492880	18.0	Keyed to differ	Type 1	10
492881	30.0	Keyed alike	Type 1	10
492882	30.0	Keyed to differ	Type 1	10

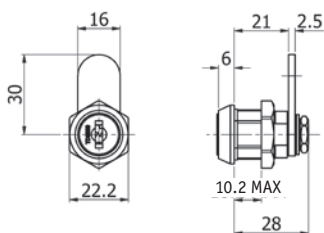
Cam Lock, 10 Disc Tumbler

Mess

SR 1887

Die-Cast Zinc Alloy

- Provides above-average security for cabinets, lockers, display units, stock cupboards, etc
- 1,000 key combinations available
- The locking/unlocking action prevents the cam from falling back under its own weight if keys are left in the lock
- Fits a standard 'double D' mounting hole, using the fixing nut
- Supplied in packs of 10



Part Number	Keying	Cam Type	Std Pack Qty
492889	Keyed alike	Type 2	10
492890	Keyed to differ	Type 2	10

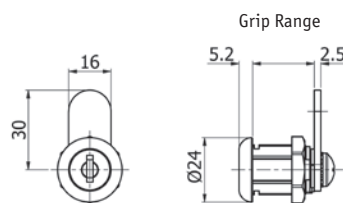
Cam Lock, 5 Disc Tumbler

Mess

SR 1887

Die-Cast Zinc Alloy

- A budget priced disc tumbler lock for use where low cost is of greater consideration than high security
- Offers 200 different key combinations
- Manufactured from die-cast alloy and has a stainless steel cap
- Supplied in packs of 10



Part Number	Grip Range (mm)	Keying	Cam Type	Std Pack Qty
492883	16.0	Keyed alike	Type 2	10
492884	16.0	Keyed to differ	Type 2	10
492885	23.0	Keyed alike	Type 2	10
492886	23.0	Keyed to differ	Type 2	10
492887	30.0	Keyed alike	Type 2	10
492888	30.0	Keyed to differ	Type 2	10

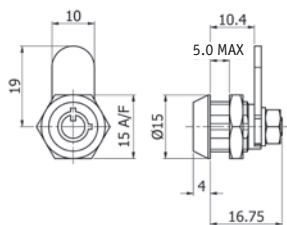
Miniature Cam Lock, Radial Pin Tumbler

Mess

SR 1887

Die-cast Alloy

- A cam lock offering full security and functionality for applications where space is limited
- Suitable for use on cabinets, display units, stock cupboards and other applications with doors, panels or flaps that need to be secured
- Supplied in packs of 25



Part Number	Keying	Std Pack Qty
492893	Keyed alike	25

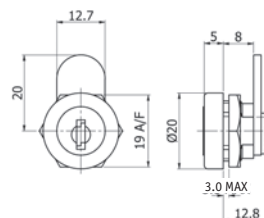
Miniature Cam Lock, 5 Disc Tumbler

Mess

SR 1887

Die-cast Alloy

- A cam lock that delivers surprising versatility in such a small package
- Suitable for use on low security cabinets, display units, stock cupboards and other applications with doors, panels or flaps that need to be secured
- 200 different key combinations are produced
- Supplied in packs of 25

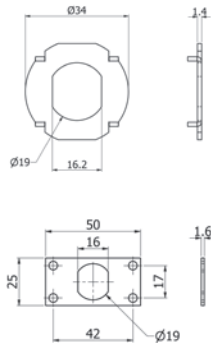


Part Number	Keying	Cam Type	Std Pack Qty
492892	Keyed to differ	20mm flat	25
492891	Keyed alike	20mm flat	25

Cam Lock Wood Washer and Cam Lock Locating Plate

SR 1887

Steel



- The wood washer prevents a cam lock from rotating in wooden applications where it is convenient to drill a round hole for fitting the lock **Moss**
- The locating or mounting plate is steel and enables a cam lock with a 19mm x 15.9mm 'double D' profile to be fixed securely
- Supplied in packs of 50

Part Number	Part Name	Std Pack Qty
492903	Cam Lock Wood Washer	50
492904	Cam Lock Locating Plate	50

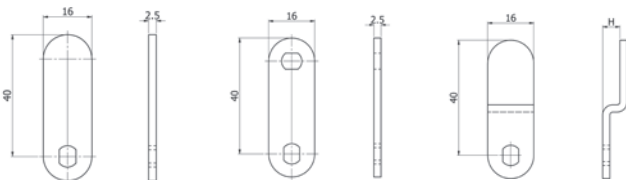
Alternative Steel Cams, Type 1

SR 1887

Steel



- To fit Part number 492878 through to 492882 **Moss**
- Zinc plated to resist corrosion
- Cranked cams are used to increase or decrease the 'effective length' of the cam lock
- Part number 492895 has both a vertical and a horizontal hole to allow fitting at all four 'quarter hour' positions
- Supplied in packs of 50



Part Number	Description	Std Pack Qty
492894	Flat; vertical hole	50
492895	Flat; two holes	50
492896	3mm crank	50
492897	6mm crank	50
492898	9mm crank	50

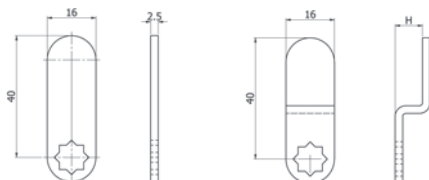
Alternative Steel Cams, Type 2

SR 1887

Steel



- To fit part number 492883 through to 492890 **Moss**
- Zinc plated to resist corrosion
- Cranked cams are used to increase or decrease the 'effective length' of the cam lock
- Supplied in packs of 50



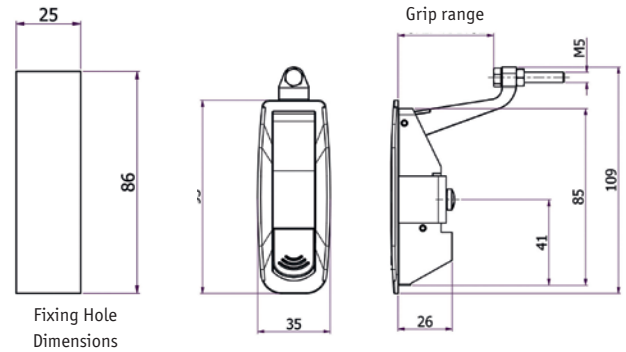
Part Number	Description	Std Pack Qty
492899	Flat; vertical hole	50
492900	3mm crank	50
492901	9mm crank	50
492902	12mm crank	50

Flush Trigger Handle Latches

SR 5090

Black Powder-Coated Die-cast Zinc

- Flush trigger design
- 0-24mm or 24-46mm adjustable grip range
- Available as keyed alike (5333), keyed different or no lock
- Supplied with 2 keys per lock
- Suitable for panel thickness of $\leq 2\text{mm}$



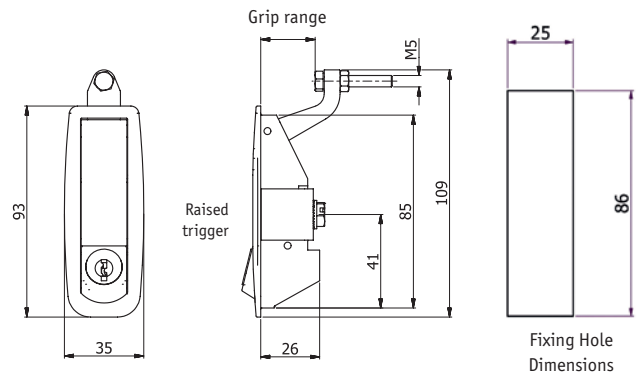
Part Number	Grip Range (mm)	Door Thickness (mm)	Locking Mechanism	Std Pack Qty
491160	0-24.0	≤ 2.0	No	40
491161	0-24.0	≤ 2.0	Keyed Alike (5333)	40
491162	0-24.0	≤ 2.0	Keyed Different	40
491163	24.0-46.0	≤ 2.0	No	40
491164	24.0-46.0	≤ 2.0	Keyed Alike (5333)	40
491165	24.0-46.0	≤ 2.0	Keyed Different	40

Raised Trigger Handle Latches

SR 5090

Black Powder-Coated Die-cast Zinc

- Raised trigger design
- 0-24mm or 24-46mm adjustable grip range
- Available as keyed alike (5333), keyed different or no lock
- Supplied with 2 keys per lock
- Suitable for panel thickness of $\leq 2\text{mm}$



Part Number	Grip Range (mm)	Locking Mechanism	Std Pack Qty
493757	0-24	No	40
493758	0-24	Keyed Alike (5333)	40
493759	0-24	Keyed Different	40
493760	24-46	No	40
493761	24-46	Keyed Alike (5333)	40
493762	24-46	Keyed Different	40

Lift and Turn Compression Latch

SR 5435

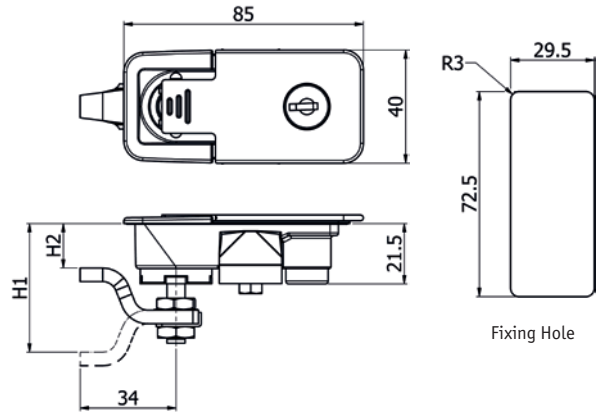
Black Powder Coated Zinc Alloy

- Lift and turn operation
- 3mm compression action



- Can be forward (H1) or reversed (H2)
- Simple grip range adjustment
- Locking version supplied with 2 keys (CH751)
- To suit 1 - 3.5mm panel thickness

Moss



Part Number	Dimensions (mm)		Locking Mechanism	Std Pack Qty
	H2	H1		
493590	6.0 - 16.0	56.0 - 66.0	Ch751	5
493591	16.0 - 26.0	46.0 - 56.0	Ch751	5
493592	6.0 - 16.0	56.0 - 66.0	Non Locking	5
493593	16.0 - 26.0	46.0 - 56.0	Non Locking	5

Mini Push to Close Lock

SR 5548

Body: Polyamide

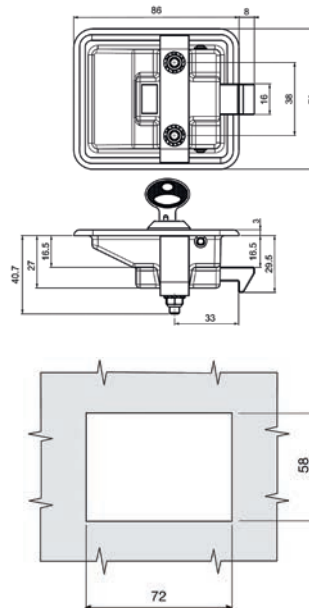
Handle: Die-Cast Zinc Alloy

Cam: Acetyl

Mounting Bracket: Steel

- Ideal for generators with small doors and panels etc.
- Supplied with two standard Euro keys (5333)

Moss



Type 1



Type 2

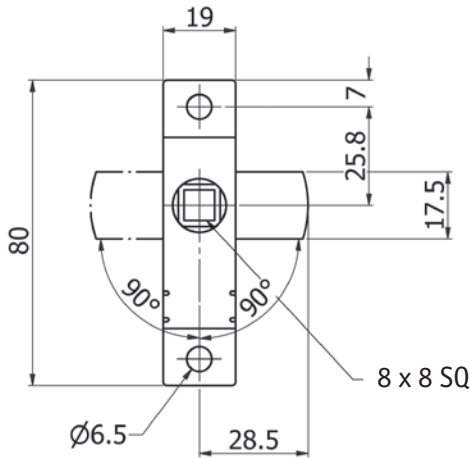
Part Number	Type	Style	Std Pack Qty
491435	1	Key Lock	1
491436	2	Blind	1

Budget Locks

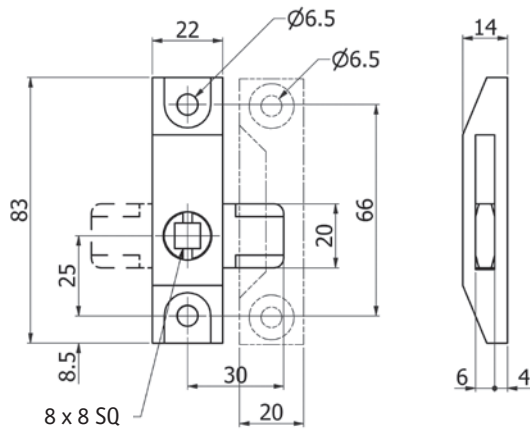
SR 5579

Steel, 304 Stainless Steel & Polyamide

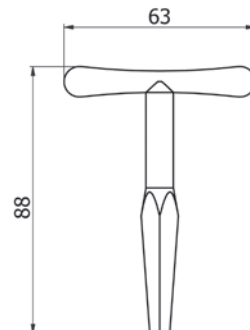
- Both right and left hand application possible
- Ideal for concealed locking mechanisms
- Type 2 is supplied with strike plate



Type 1



Type 2



Key



Part Number	Type	Material	Std Pack Qty
493475	1	Steel	50
493476	1	304 Stainless Steel	50
493477	2	Polyamide	50
493478	Key	Cast Iron	50

HVAC Handles

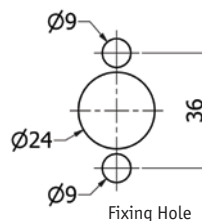
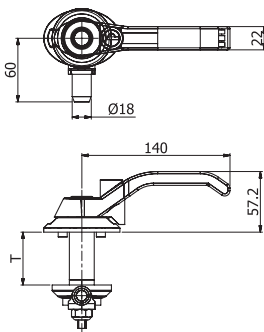
SR5566

Nylon body with steel cam

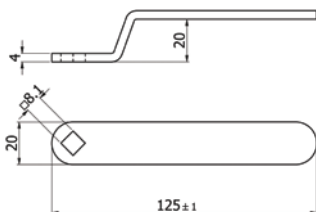
- Can be used for left or right hand doors
- Roller cam allows locking using low force
- Removable handle allows easy on-site fitting
- Available with Eurokey (5333) or no lock
- Internal handle enables safe opening from the inside



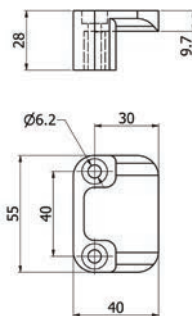
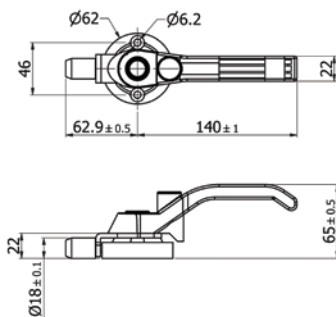
HVAC Handle



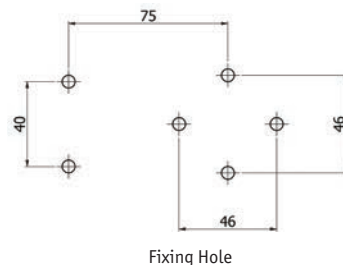
Safety Handle



Outside Locking Handle



Catchplate



HVAC Handle

Part Number	Type	T	Std Pack Qty
493968	No Lock	50	1
493969	No Lock	60	1
493970	No Lock	80	1
493971	Eurokey	50	1
493972	Eurokey	60	1
493973	Eurokey	80	1

Safety Handle

Part Number	Type	Std Pack Qty
493777	Safety Handle	1

Outside Locking Handle

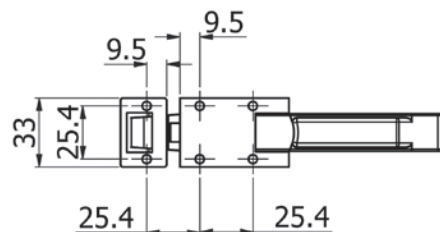
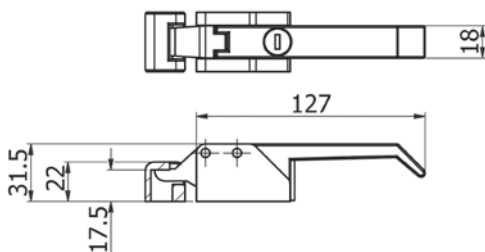
Part Number	Type	Std Pack Qty
493775	Outside Locking Handle	1
493776	Catch Plate	1

Over Centre Compression Lever

SR5434

Black Powder Coated Zinc

- Easy to use compression latch
- Provides good gasket compression
- Keyed version supplied with 2 keys
- To suit M5 Fixings (Not Supplied)



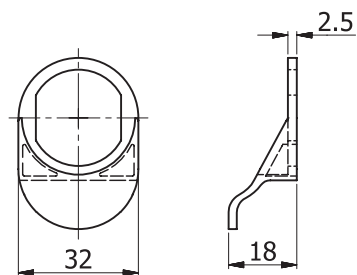
Part Number	Type	Std Pack Qty
493598	Keyed Alike	1
493599	No Lock	1

Push Button Latch

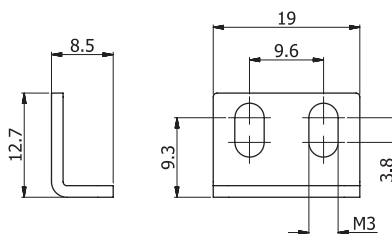
SR5598

Black ABS

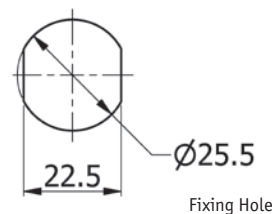
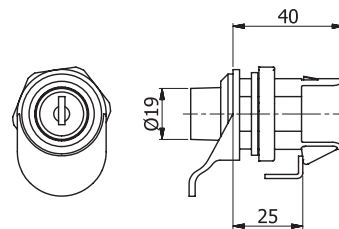
- Push button opening
- Slam shut action
- Single hole installation
- To suit panel thickness up to 16mm
- Complete with handle pull and catch plate
- Supplied with 2 Keys (CH751)



Handle



Catch Plate



Fixing Hole

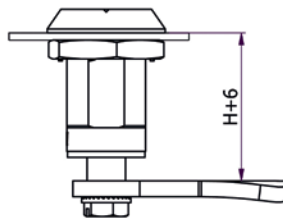
Part Number	Blind Cap	Std Pack Qty
493578	N	1
601511	Y	1

Fixed Compression Latches

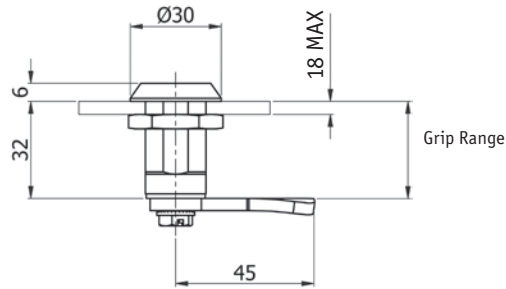
SR 5551

Black Powder Coated Die-Cast Zinc

- IP65
- 6mm Compression
- When key is turned to 90° cam turns to locking position
- When key is turned to 180° cam moves to fixing position
- Latch provides good compression and noise isolation



Latch has 6mm compression



3mm Double Bit



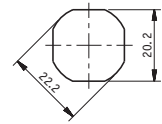
7mm Triangle



Slotted



Wingknob



Fixing Hole

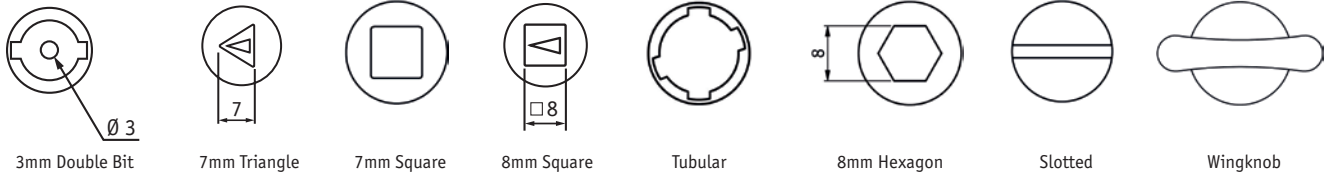
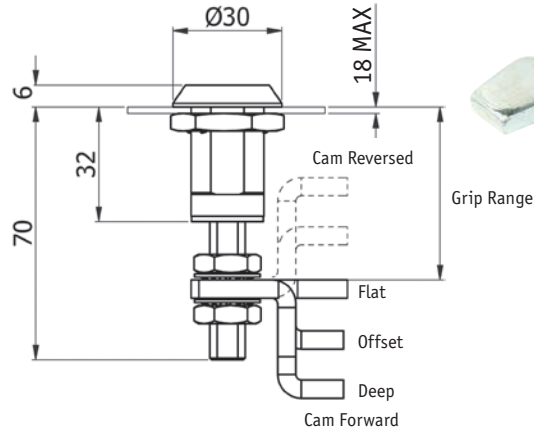
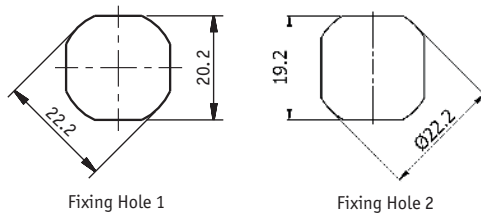
Part Number	Head Style	Grip Range (mm)	Std Pack Qty
491175	3mm Double Bit	20	50
491176	3mm Double Bit	22	50
491177	3mm Double Bit	24	50
491178	3mm Double Bit	28	50
491179	3mm Double Bit	32	50
491180	3mm Double Bit	35	50
491181	3mm Double Bit	38	50
491182	7mm Triangle	20	50
491183	7mm Triangle	22	50
491184	7mm Triangle	24	50
491185	7mm Triangle	28	50
491186	7mm Triangle	32	50
491187	7mm Triangle	35	50
491188	7mm Triangle	38	50
491189	Slotted	20	50
491190	Slotted	22	50
491191	Slotted	24	50
491192	Slotted	28	50
491193	Slotted	32	50
491194	Slotted	35	50
491195	Slotted	38	50
493750	Wingknob	20	50
493751	Wingknob	22	50
493752	Wingknob	24	50
493753	Wingknob	28	50
493754	Wingknob	32	50
493755	Wingknob	35	50
493756	Wingknob	38	50

Adjustable Compression Latches

SR 5547

Chrome Plated or Black Powder Coated Die-Cast Zinc

- IP65
- 6mm Compression
- 3 Cam styles available
- Cam can be used forward or reversed
- Latch provides good compression and noise isolation
- 2 Fixing sizes available 20.2mm x 22.2mm and 19.2mm x 22.2mm



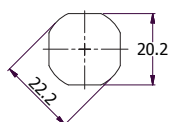
Part Number				Head Style	Cam Style	Grip Range (mm)		Std Pack Qty
Chrome Plated		Black Powder Coated				Cam Reversed	Cam Forward	
Fixing Hole 1	Fixing Hole 2	Fixing Hole 1	Fixing Hole 2					
491214	-	491196	493720	3mm Double Bit	Flat	40 - 57	40 - 57	50
491215	-	491197	493721	3mm Double Bit	Offset	28 - 44	53.5 - 71	50
491216	-	491198	493722	3mm Double Bit	Deep	11 - 29	67.5 - 85	50
491217	-	491199	493723	7mm Triangle	Flat	40 - 57	40 - 57	50
491218	-	491200	493724	7mm Triangle	Offset	28 - 44	53.5 - 71	50
491219	-	491201	493725	7mm Triangle	Deep	11 - 29	67.5 - 85	50
-	-	-	493726	7mm Square	Flat	40 - 57	40 - 57	50
-	-	-	493727	7mm Square	Offset	28 - 44	53.5 - 71	50
-	-	-	493728	7mm Square	Deep	11 - 29	67.5 - 85	50
491220	-	491202	-	8mm Square	Flat	40 - 57	40 - 57	50
491221	-	491203	-	8mm Square	Offset	28 - 44	53.5 - 71	50
491222	-	491204	-	8mm Square	Deep	11 - 29	67.5 - 85	50
491223	493741	491205	493729	Tubular Key	Flat	40 - 57	40 - 57	50
493009	493742	491206	493730	Tubular Key	Offset	28 - 44	53.5 - 71	50
493010	493743	491207	493731	Tubular Key	Deep	11 - 29	67.5 - 85	50
493011	493744	491208	493732	8mm Hexagon High Security	Flat	40 - 57	40 - 57	50
493012	493745	491209	493733	8mm Hexagon High Security	Offset	28 - 44	53.5 - 71	50
493013	493746	491210	493734	8mm Hexagon High Security	Deep	11 - 29	67.5 - 85	50
493014	-	491211	493735	Slotted	Flat	40 - 57	40 - 57	50
493015	-	491212	493736	Slotted	Offset	28 - 44	53.5 - 71	50
493016	-	491213	493737	Slotted	Deep	11 - 29	67.5 - 85	50
-	-	493747	493738	Wingknob	Flat	40 - 57	40 - 57	50
-	-	493748	493739	Wingknob	Offset	28 - 44	53.5 - 71	50
-	-	493749	493740	Wingknob	Deep	11 - 29	67.5 - 85	50

Fixed Compression Lock

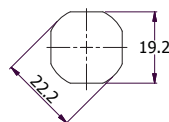
SR 6412

Stainless Steel AISI 316

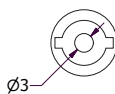
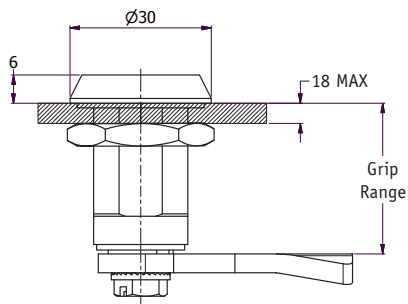
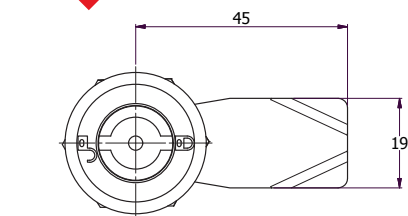
- IP65
- Lock has 6mm compression ratio
- Lock provide good compression and noise isolation
- 2 fixing sizes available 20.2mm x 22.2mm and 19.2mm x 22.2mm



Fixing Hole 1



Fixing Hole 2



3mm Double Bit



7mm Triangle



2 x 4mm Slot



8mm Square



Railway

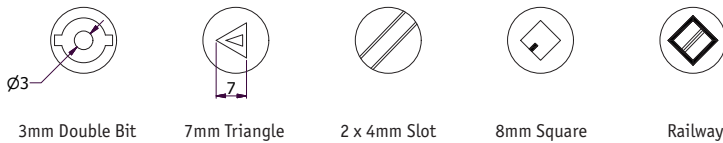
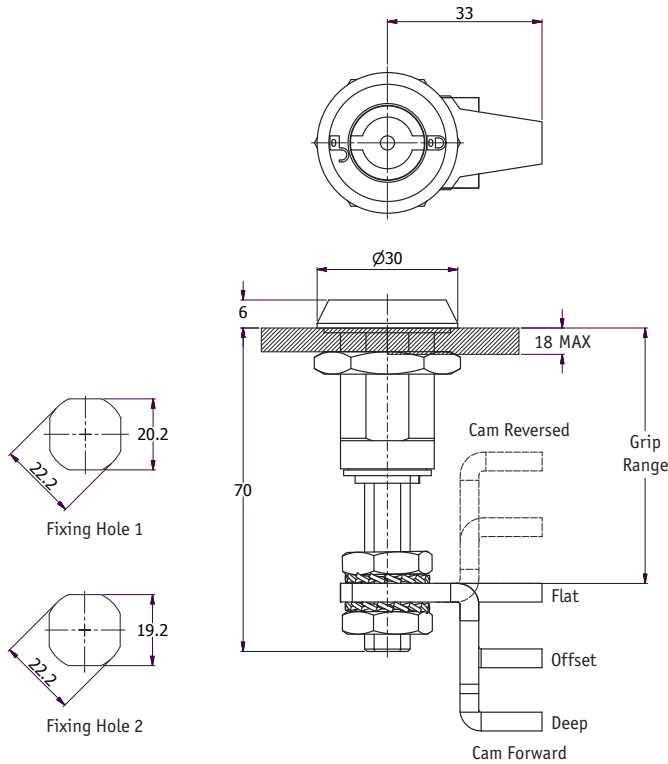
Fixing Hole 1	Part Number	Fixing Hole 2	Head Style	Grip Range (mm)	Std Pack Qty
551396		551430	3mm double bit	20	10
551397		551431	3mm double bit	22	10
551398		551432	3mm double bit	24	10
551399		551433	3mm double bit	28	10
551400		551434	3mm double bit	32	10
551401		551435	3mm double bit	35	10
551402		551436	3mm double bit	38	10
551403		551437	7mm triangle	20	10
551404		551438	7mm triangle	22	10
551405		551439	7mm triangle	24	10
551406		551440	7mm triangle	28	10
551407		551441	7mm triangle	32	10
551408		551442	7mm triangle	35	10
551409		551443	7mm triangle	38	10
551410		551444	Slotted	20	10
551411		551445	Slotted	22	10
551412		551446	Slotted	24	10
551413		551447	Slotted	28	10
551414		551448	Slotted	32	10
551415		551449	Slotted	35	10
551416		551450	Slotted	38	10
551417		551451	8mm square	20	10
551418		551452	8mm square	22	10
551419		551453	8mm square	24	10
551420		551454	8mm square	28	10
551421		551455	8mm square	32	10
551422		551456	8mm square	35	10
551423		551457	8mm square	38	10
551424		551458	Railway	22	10
551425		551459	Railway	24	10
551426		551460	Railway	28	10
551427		551461	Railway	32	10
551428		551462	Railway	35	10
551429		551463	Railway	38	10

Adjustable Compression Lock

SR 6413

Stainless Steel AISI 316

- IP65
- Lock has 6mm compression ratio
- Lock provide wide grip range with adjustable screw
- 2 fixing sizes available 20.2mm x 22.2mm and 19.2mm x 22.2mm



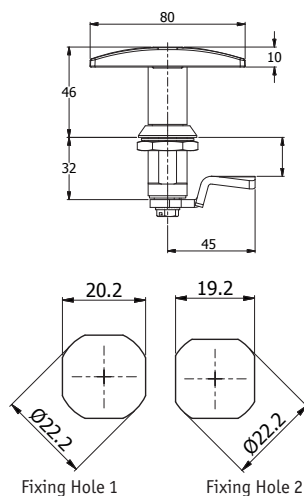
Part Number		Head Style	Cam Style	Grip Range (mm)		Std Pack Qty
Fixing Hole 1	Fixing Hole 2			Cam Reversed	Cam Forward	
551464	551479	3mm double bit	Flat	41-58	41-58	10
551465	551480	3mm double bit	Offset	27-44	55-72	10
551466	551481	3mm double bit	Deep	13.5-30.5	68.5-85.5	10
551467	551482	7mm triangle	Flat	41-58	41-58	10
551468	551483	7mm triangle	Offset	27-44	55-72	10
551469	551484	7mm triangle	Deep	13.5-30.5	68.5-85.5	10
551470	551485	Slotted	Flat	41-58	41-58	10
551471	551486	Slotted	Offset	27-44	55-72	10
551472	551487	Slotted	Deep	13.5-30.5	68.5-85.5	10
551473	551488	8mm square	Flat	41-58	41-58	10
551474	551489	8mm square	Offset	27-44	55-72	10
551475	551490	8mm square	Deep	13.5-30.5	68.5-85.5	10
551476	551491	Railway	Flat	41-58	41-58	10
551477	551492	Railway	Offset	27-44	55-72	10
551478	551493	Railway	Deep	13.5-30.5	68.5-85.5	10

T Handle Compression Latch

SR 5479

Die-Cast Zinc Alloy

- Chrome or black powder finish
- Hand Operated
- Available in locking and non-locking versions
- 6mm Compression



- Supplied with sealing gasket
- Type 1 - Locking
- Type 2 - Non-locking

Moss

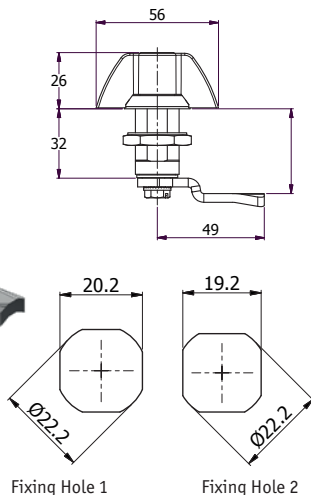
Part Number		Type	Fixing Hole	Grip Range (mm)	Std Pack Qty
Chrome	Black				
498181	498237	1	1	20	25
498182	498238	1	1	22	25
498183	498239	1	1	24	25
498184	498240	1	1	28	25
498185	498241	1	1	32	25
498186	498242	1	1	35	25
498187	498243	1	1	38	25
498188	498244	1	2	20	25
498189	498245	1	2	22	25
498190	498246	1	2	24	25
498191	498247	1	2	28	25
498192	498248	1	2	32	25
498193	498249	1	2	35	25
498194	498250	1	2	38	25
498195	498251	2	1	20	25
498196	498252	2	1	22	25
498197	498253	2	1	24	25
498198	498254	2	1	28	25
498199	498255	2	1	32	25
498200	498256	2	1	35	25
498201	498257	2	1	38	25
498202	498258	2	2	20	25
498203	498259	2	2	22	25
498204	498260	2	2	24	25
498205	498261	2	2	28	25
498206	498262	2	2	32	25
498207	498263	2	2	35	25
498208	498264	2	2	38	25

Wing Knob Compression Latches

SR 5475

Die-Cast Zinc Alloy

- Chrome or black powder finish
- 6mm compression
- Available in locking and non-locking versions
- Type 1 - Locking
- Type 2 - Non-locking



Part Number		Type	Fixing Hole	Grip Range (mm)	Std Pack Qty
Chrome	Black				
498306	498362	1	1	20	50
498307	498363	1	1	22	50
498308	498364	1	1	24	50
498309	498365	1	1	28	50
498310	498366	1	1	32	50
498311	498367	1	1	35	50
498312	498368	1	1	38	50
498313	498369	1	2	20	50
498314	498370	1	2	22	50
498315	498371	1	2	24	50
498316	498372	1	2	28	50
498317	498373	1	2	32	50
498318	498374	1	2	35	50
498319	498375	1	2	38	50
498320	498376	2	1	20	50
498321	498377	2	1	22	50
498322	498378	2	1	24	50
498323	498379	2	1	28	50
498324	498380	2	1	32	50
498325	498381	2	1	35	50
498326	498382	2	1	38	50
498327	498383	2	2	20	50
498328	498384	2	2	22	50
498329	498385	2	2	24	50
498330	498386	2	2	28	50
498331	498387	2	2	32	50
498332	498388	2	2	35	50
498333	498389	2	2	38	50

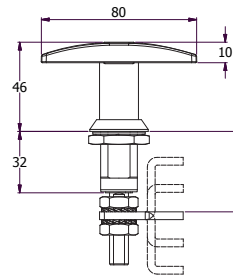
Moss

Adjustable T Handle Compression Latch

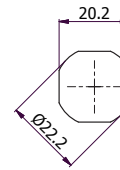
SR 5790

Die-Cast Zinc Alloy

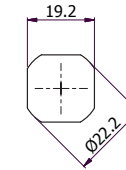
- Chrome or black powder finish
- Hand Operated and adjustable
- Available in locking and non-locking versions
- 6mm Compression
- Supplied with sealing gasket
- Type 1 - Locking
- Type 2 - Non-locking



Part Number		Type	Fixing Hole	Grip Range (mm)	Std Pack Qty
Chrome	Black				
498209	498265	1	1	41-58	25
498210	498266	1	1	27-72	25
498211	498267	1	1	13.5-85	25
498216	498272	1	2	41-58	25
498217	498273	1	2	27-72	25
498218	498274	1	2	13.5-85	25
498223	498279	2	1	41-58	25
498224	498280	2	1	27-72	25
498225	498281	2	1	13.5-85	25
498230	498286	2	2	41-58	25
498231	498287	2	2	27-72	25
498232	498288	2	2	13.5-85	25



Fixing Hole 1



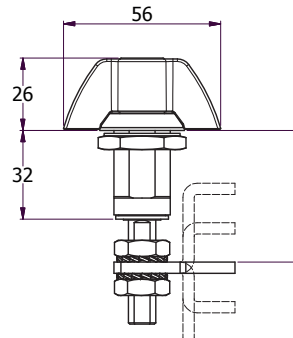
Fixing Hole 2

Adjustable Wing Knob Compression Latches

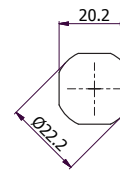
SR 5791

Die-Cast Zinc Alloy

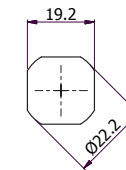
- Chrome or black powder finish
- Adjustable
- 6mm compression
- Available in locking and non-locking versions
- Type 1 - Locking
- Type 2 - Non-locking



Part Number		Type	Fixing Hole	Grip Range (mm)	Std Pack Qty
Chrome	Black				
498334	498390	1	1	41-58	25
498335	498391	1	1	27-72	25
498336	498392	1	1	13.5-85	25
498341	498397	1	2	41-58	25
498342	498398	1	2	27-72	25
498343	498399	1	2	13.5-85	25
498348	498404	2	1	41-58	25
498349	498405	2	1	27-72	25
498350	498406	2	1	13.5-85	25
498355	498411	2	2	41-58	25
498356	498412	2	2	27-72	25
498357	498413	2	2	13.5-85	25



Fixing Hole 1



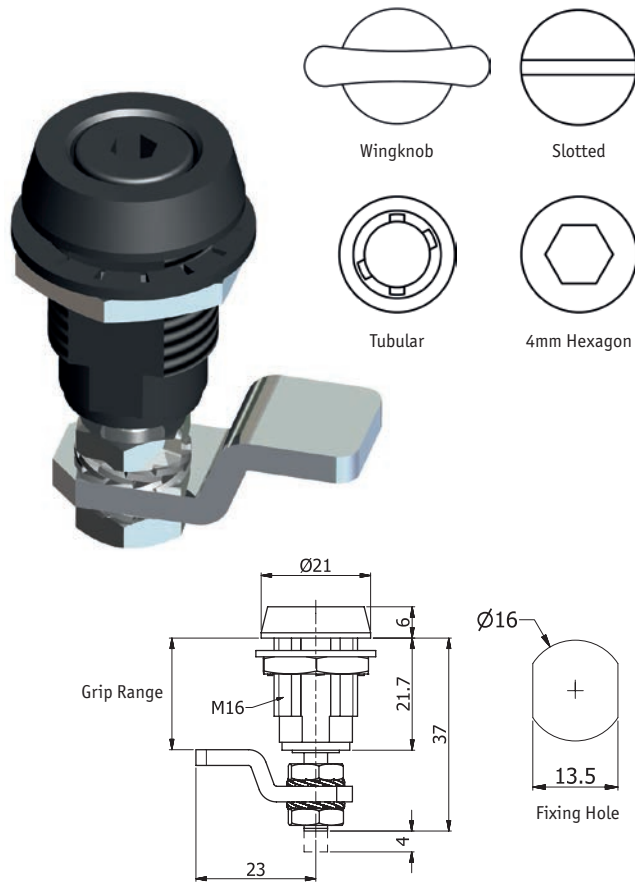
Fixing Hole 2

Small Compression Latches

SR5459

Black Die-Cast Zinc Alloy

- 4mm compression
- Supplied with sealing gasket
- Allows simple adjustment of grip range
- Ideal for applications with limited space
- For use with the keys on this page



Part Number				Dimensions (mm)		Std Pack Qty
Wingknob	Slotted	4mm Hex	Tubular	B	C	
496203	496209	496215	496221	9.6	12.8	500
496204	496210	496216	496222	12.8	16.0	500
496205	496211	496217	496223	16.0	19.2	250
496206	496212	496218	496224	19.2	22.4	250
496207	496213	496219	496225	22.4	25.6	250
496208	496214	496220	496226	25.2	28.4	100

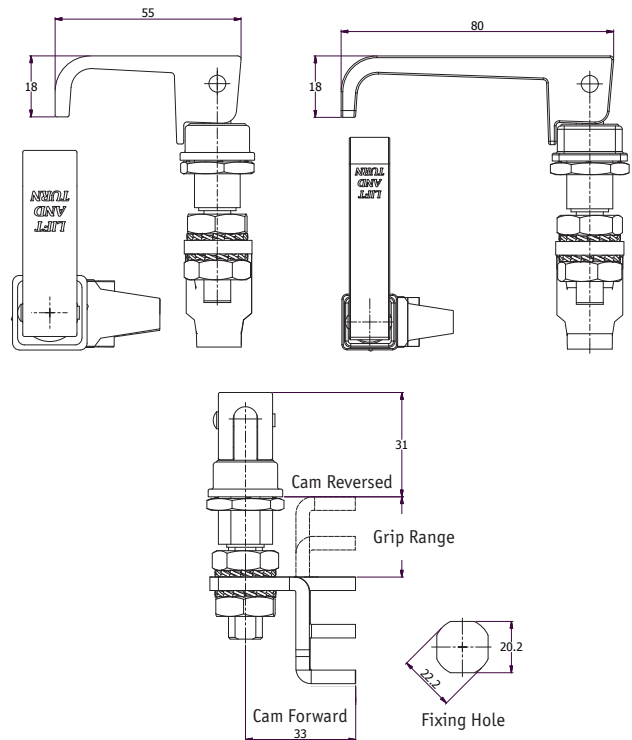
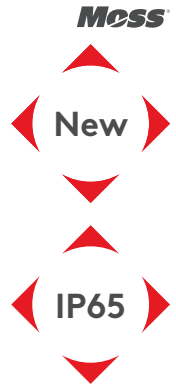
Keys

Part Number	Description	Std Pack Qty
493236	4mm Hex Key	10
493237	Tubular Key	10

Lift and Turn Compression Latch

SR6483

Die-Cast Zinc Alloy



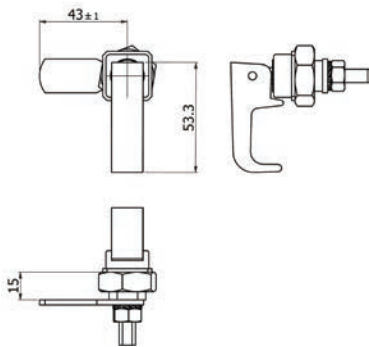
Part Number	Finish	Type	Grip Range (mm)		Std Pack Qty
			Cam Reversed	Cam Forward	
551545	Chrome Plated	1	22.5-30	22.5-30	25
551546	Chrome Plated	1	8.5-16	36.5-44	25
551861	Chrome Plated	1	0-2.5	50-57.5	25
551862	Black Coated	1	22.5-30	22.5-30	25
551863	Black Coated	1	8.5-16	36.5-44	25
551864	Black Coated	1	0-2.5	50-57.5	25
551547	Chrome Plated	2	22.5-30	22.5-30	25
551548	Chrome Plated	2	8.5-16	36.5-44	25
551865	Chrome Plated	2	0-2.5	50-57.5	25
551866	Black Coated	2	22.5-30	22.5-30	25
551867	Black Coated	2	8.5-16	36.5-44	25
551868	Black Coated	2	0-2.5	50-57.5	25

Lift and Turn Lock

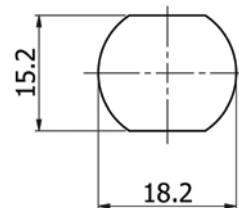
SR5568

Nylon body steel cam

- Simple compression action
- Suitable for enclosures and machinery panels
- Left or Right hand operation possible



Part Number	Std Pack Qty
493415	50



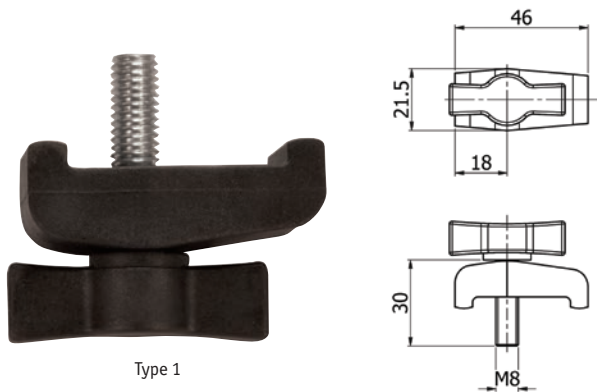
Fixing Hole

Bridge Clamps

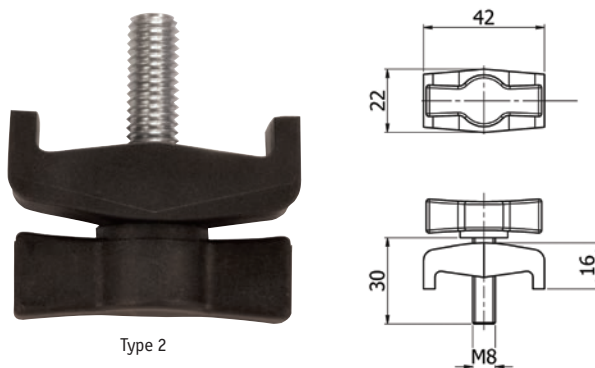
SR5569

Nylon with Steel screw

- Ideal for heating and ventilation panels
- Suitable for right or left hand doors



Type 1



Type 2

Part Number	Type	Std Pack Qty
493416	Type 1	50
493417	Type 2	50

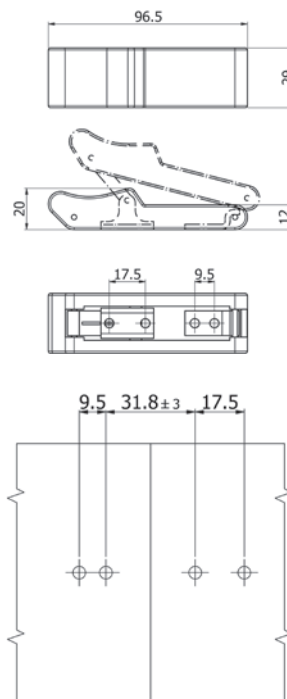
Flexible Over Center Drawer Latch

SR 5597

Black rubber handle

Stainless steel keeper and bracket

- Low profile design
- Concealed keeper is fixed under the latch
- Non-corrosive
- Fixed using M4 screws (not supplied)



Fixing Dimensions

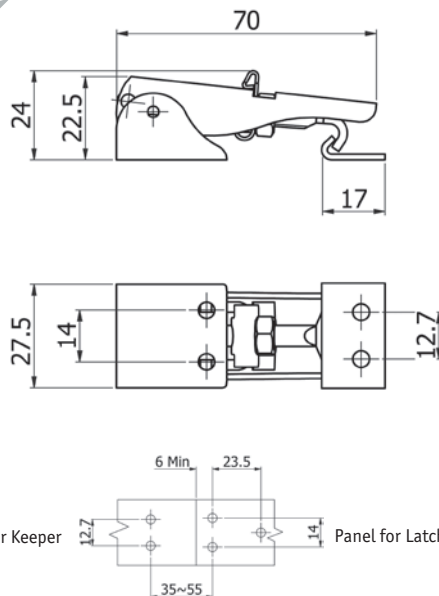
Part Number	Std Pack Qty
493577	20

Adjustable Draw Latch

SR 5433

Zinc Plated Steel / 304 Stainless Steel

- Adjustable latch
- Secondary lock button to prevent accidental opening
- To suit M4 fixings
- Supplied with keeper



Fixing Dimensions

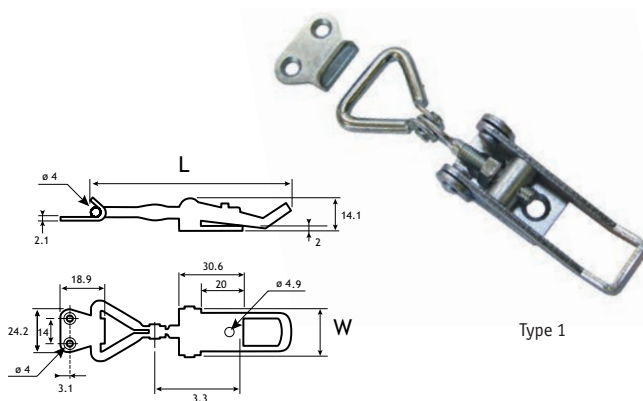
Part Number	Material	Std Pack Qty
493596	Stainless Steel	10
493597	Zinc Plated Steel	20

Adjustable Latches

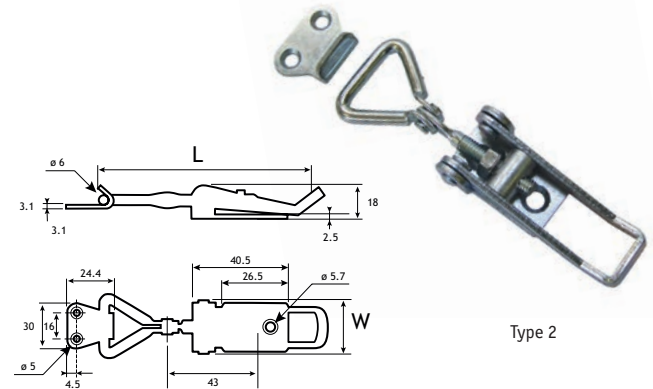
SR 5424

Mild Steel or Stainless Steel 304

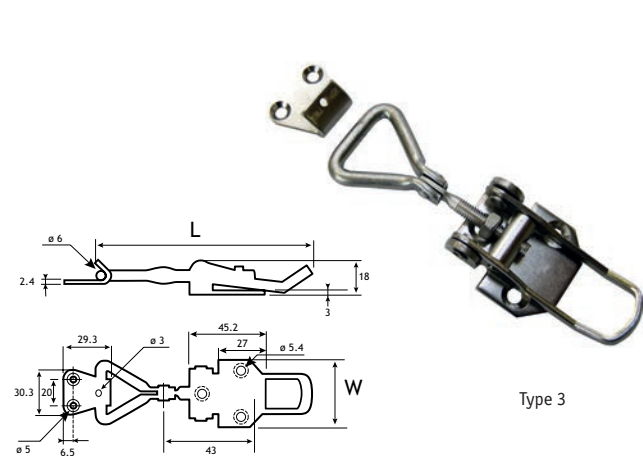
- Securely pull & lock two components together
- Operated by hand and are quick and easy to use
- Suitable for a wide variety of uses including containers, packaging and industrial cleaning machines
- Type 4: For use with padlock



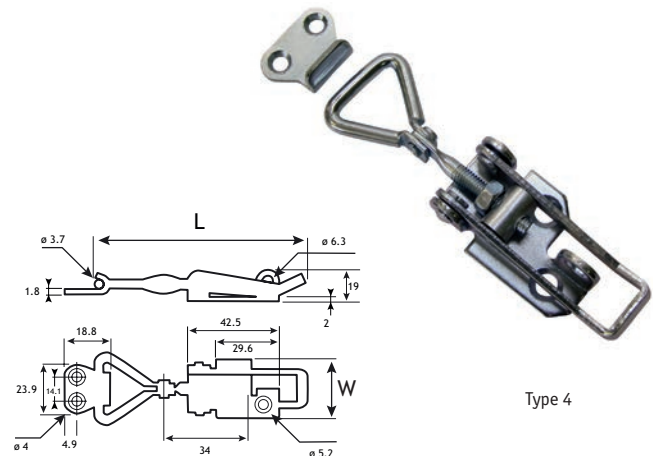
Type 1



Type 2



Type 3



Type 4

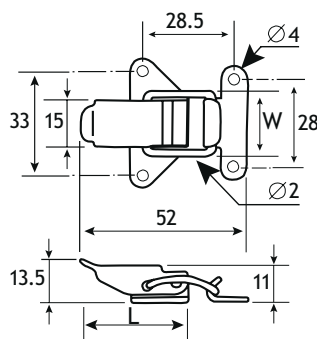
Part Number	Type	Material	Dimensions (mm)		Std Pack Qty
			L	W	
491974	1	Zinc Plated Mild Steel	77.3 - 93.0	20.0	20
491975	2	Stainless Steel	96.0 - 121.7	25.0	20
491976	3	Zinc Plated Mild Steel	117.4 - 128.0	40.3	20
491977	3	Stainless Steel	117.4 - 128.0	40.3	20
491978	4	Zinc Plated Mild Steel	82.0 - 92.0	26.3	20
491979	4	Stainless Steel	82.0 - 92.0	26.3	20

Fixed Catch

SR 5431

Type 1: Stainless Steel 304

- Strike comes with catch



Part Number	Type	Style	Dimensions (mm)		Std Pack Qty
			L	W	
491971	1	Light Duty	33.6	23.5	25

Drawer Latches

SR 5423

Mild Steel or Stainless Steel AISI 304

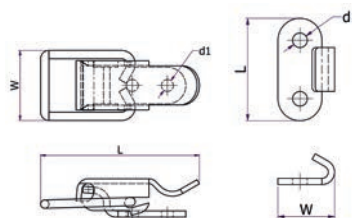
- Suitable for a wide variety of uses including containers, packaging and industrial cleaning machines
- Catch and strike must be ordered separately



Catch



Strike



Catch

Part Number	Material	Dimensions (mm)			Std Pack Qty
		L	W	d1	
491969	Mild Steel	50.0	22.0	3.8	25
491970	Stainless Steel	50.0	22.0	3.8	25
491972	Mild Steel	80.0	32.0	5.2	25
491973	Stainless Steel	80.0	32.0	5.2	25

Strike

Part Number	Material	Dimensions (mm)			Std Pack Qty
		L	W	d1	
491989	Mild Steel	24.0	14.0	3.5	25
491990	Stainless Steel	24.0	14.0	3.5	25
491991	Mild Steel	26.0	20.0	5.2	25
491992	Stainless Steel	26.0	20.0	5.2	25

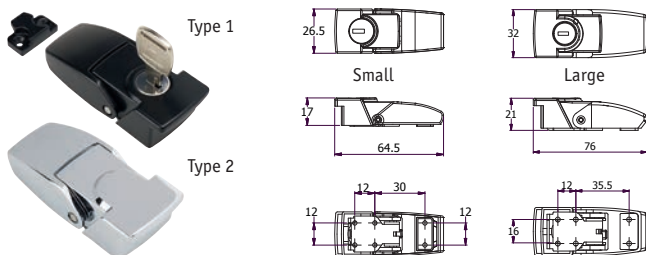
Drawer Latches

SR 5513

Die-cast Zinc

- Gently curved low-profile surface-mount design resists accidental opening under stress or vibration
- High-strength body encloses all working hardware for improved aesthetics and tamper-resistance

- Simple lever action provides secure latching with quick and easy access
- Riveted construction enhances robust performance and durability
- Suitable for indoor and outdoor applications
- Maximum working load of 1200 N
- Type 1 - Keyed
- Type 2 - Keyless



Part Number		Type	Size	Std Pack Qty
Black	Chrome			
497532	497534	1	Large	10
497533	497535	2	Large	10
497536	497538	1	Small	10
497537	497539	2	Small	10

Drawer Latches

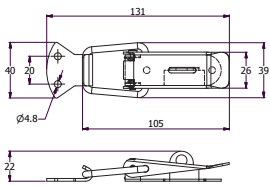
SR5496

Stainless Steel 304 or Zinc Plated Steel

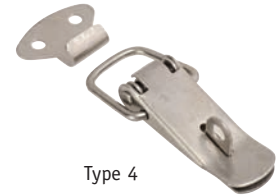
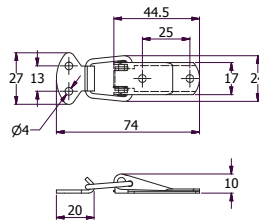
- Securely pull and lock two components together
- Operated by hand and are quick and easy to use
- Suitable for a wide variety of uses including containers, packaging and industrial cleaning machines



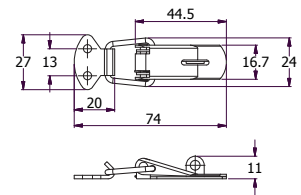
Type 1



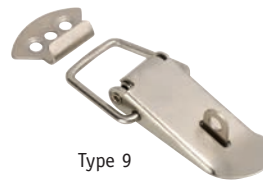
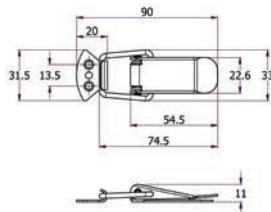
Type 3



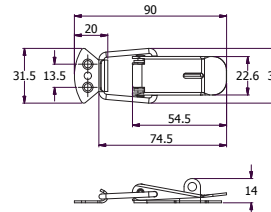
Type 4



Type 7



Type 9



Wire Link Latch

Part Number		Type	Std Pack Qty
Stainless Steel 304	Zinc Plated Steel		
497810	497994	1	25
497811	497997	3	25
497812	497998	4	25
497814	498003	7	25
497816	498005	9	25

CONTINUED ON NEXT PAGE

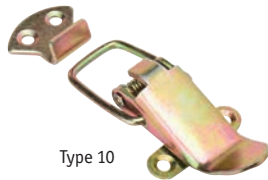


Drawer Latches *CONTINUED*

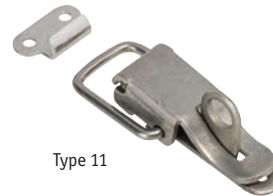
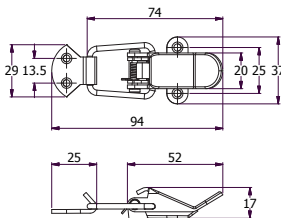
SR5496

Stainless Steel 304 or Zinc Plated Steel

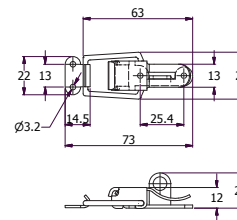
- Securely pull and lock two components together
- Operated by hand and are quick and easy to use
- Suitable for a wide variety of uses including containers, packaging and industrial cleaning machines



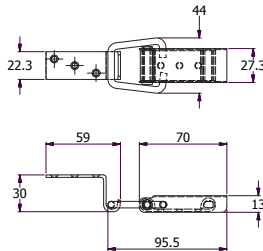
Type 10



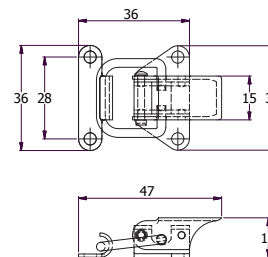
Type 11



Type 12



Type 14



Wire Link Latch

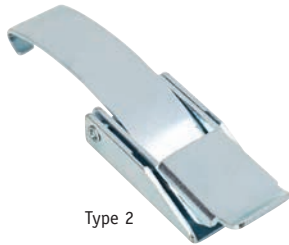
Part Number		Type	Std Pack Qty
Stainless Steel 304	Zinc Plated Steel		
497929	498006	10	25
497930	498007	11	25
-	498008	12	25
497932	498010	14	25

Drawer Latches *CONTINUED*

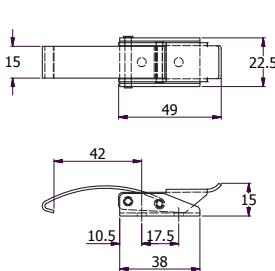
SR5496

Stainless Steel 304 or Zinc Plated Steel

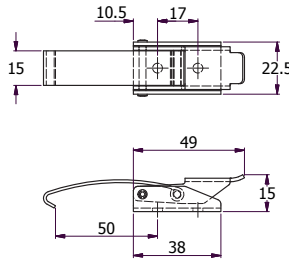
- Securely pull and lock two components together
- Operated by hand and are quick and easy to use
- Suitable for a wide variety of uses including containers, packaging and industrial cleaning machines



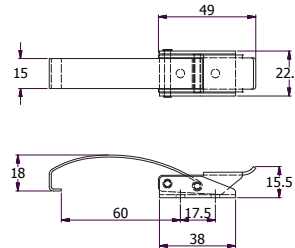
Type 2



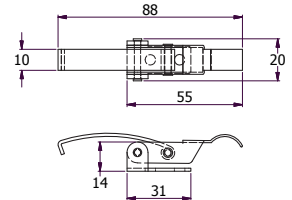
Type 6



Type 8

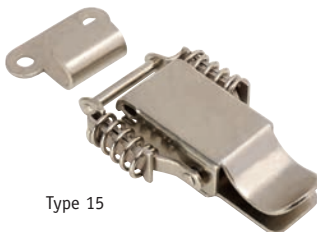


Type 13

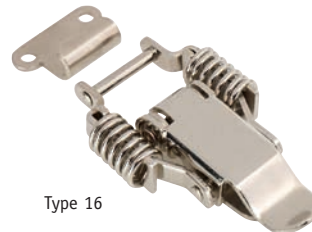
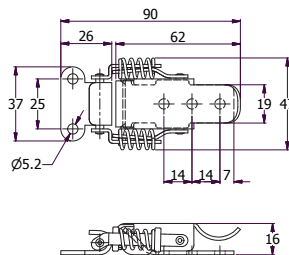


Over Centre Latch

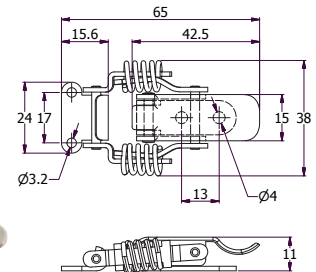
Part Number		Type	Std Pack Qty
Stainless Steel 304	Zinc Plated Steel		
497996	-	2	25
-	498000	6	25
497815	498004	8	25
497931	498009	13	25



Type 15



Type 16



Spring Latch

Part Number		Type	Std Pack Qty
Stainless Steel 304	Zinc Plated Steel		
497933	498011	15	25
497934	498012	16	25

CONTINUED ON NEXT PAGE

Drawer Latches *CONTINUED*

SR5496

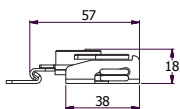
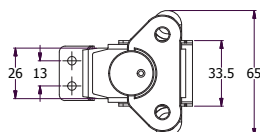
Zinc Plated Steel



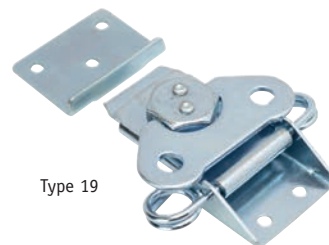
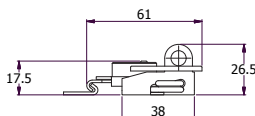
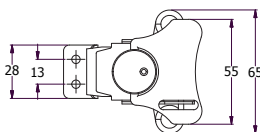
- Securely pull and lock two components together
- Operated by hand and are quick and easy to use
- Suitable for a wide variety of uses including containers, packaging and industrial cleaning machines



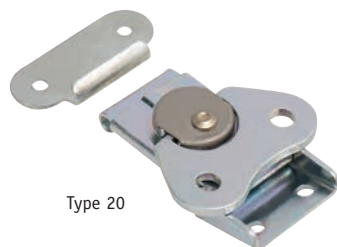
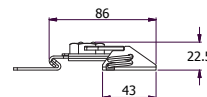
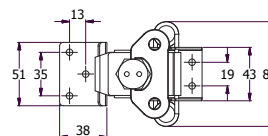
Type 17



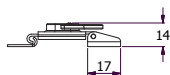
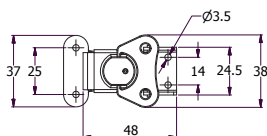
Type 18



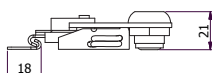
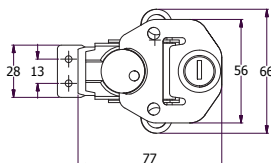
Type 19



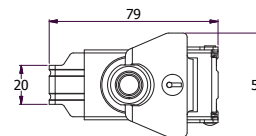
Type 20



Type 21



Type 22



Rotary Latch

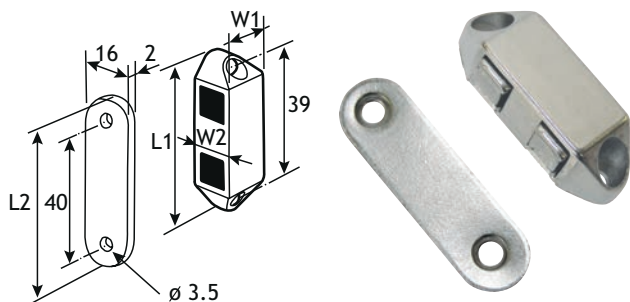
Part Number	Type	Std Pack Qty
498013	17	25
498014	18	25
498015	19	25
498018	20	25
498019	21	25
498020	22	25

Metal Magnetic Catch

SR 5426

Nickel Plated Die-Cast Zinc Alloy

- Magnetic catch comes with counterplate
- Can withstand a force of 4 kg
- Temperature resistance of 80°C
- Vibration Resistant



Part Number	Dimensions (mm)				Std Pack Qty
	L1	W1	L2	W2	
491981	49	16	56	16	100



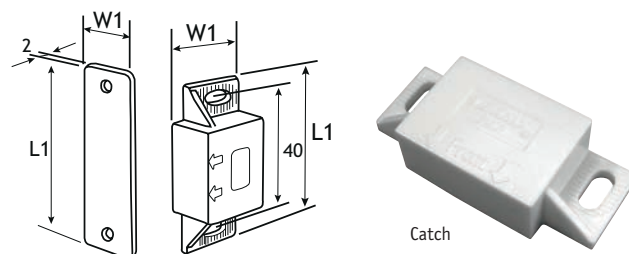
Sealed Magnetic Catch

SR 5429

Catch: White Nylon

Counterplate: Stainless Steel

- Sealed Magnet does not rust
- Separate magnetic catch and counterplate
- Can withstand a force of up to 3kg
- Suitable for catering industry and food and drink machinery



Part Number	Type	Dimensions (mm)		Std Pack Qty
		L1	W1	
491987	Catch	50	21	100
491988	Counterplate	49	15	100

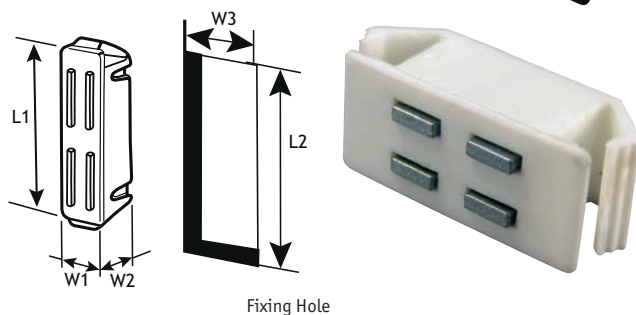


Clip In Magnetic Catch

SR 5427

White or Black Polypropylene

- Quick and easy snap in fastening remains securely in place
- Ideal for metal cabinets



Part Number	Colour	Panel Thickness (mm)	Dimensions (mm)					Std Pack Qty
			L1	L2	W1	W2	W3	
491982	White	1.5	25.5	23	12.3	10.4	11	100
491983	White	1.5	39.5	35	10.0	11	8.2	100
491984	Black	2.0	54.0	51.5	12.5	14.5	10.8	100

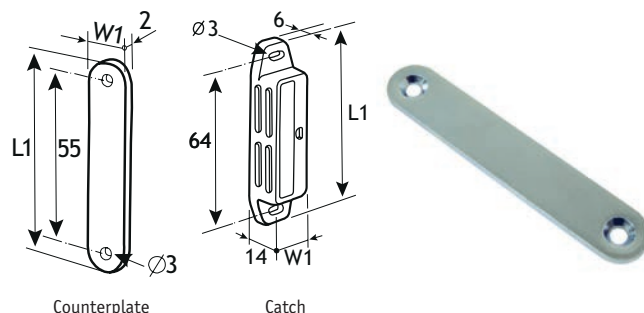


Large Surface Mounted Catch

SR 5428

White Polyamide

- Heavy duty magnet
- Can withstand a force of 15kg
- Holes drilled for M3 screws
- Separate catch and counterplate



Part Number	Type	Dimensions (mm)		Std Pack Qty
		L1	W1	
491986	Catch	74.0	17.5	100
491993	Counterplate	65.0	13.0	100

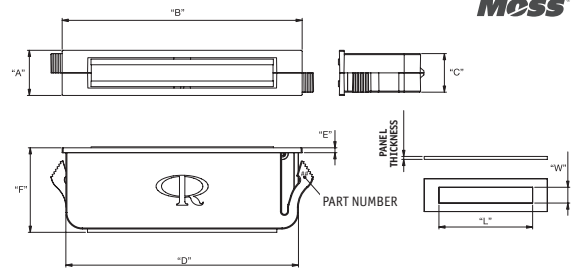


Snap Fit Magnetic Catch

SR 5464

Polypropylene, RMS150

- Quick to install
- Snap-fit directly into fixing hole
- Available in black and white



Moss

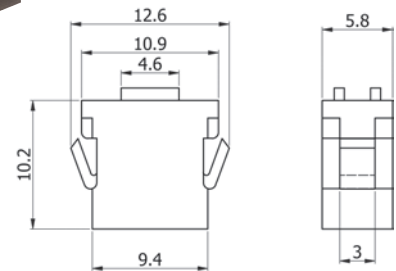
Color: White	Color: Black	"A"	"B"	"C"	"D"	"E"	"F"	Panel Thickness	"L"	"W"	Std Pack Qty
ML-S-1	ML-S-1BK	7.7	23.6	6.0	21.8	0.8	13.3	0.5 - 2.0	22.2	6.4	10
ML-S-2	ML-S-2BK	7.7	23.6	6.0	21.8	0.8	13.3	2.0 - 3.5	22.2	6.4	10
496256	496257	9.5	39.7	7.7	37.9	0.8	25.4	0.5 - 2.0	38.1	8.1	20
ML-M-2	ML-M-2BK	9.5	39.7	7.7	37.9	0.8	25.4	2.0 - 3.5	38.1	8.1	10
ML-M-3	ML-M-3BK	9.5	39.7	7.7	37.9	0.8	25.4	3.5 - 5.0	38.1	8.1	10
496258	496259	11	58.5	9.2	56.7	1.2	20.6	0.5 - 2.0	57.1	9.6	20
ML-L-2	ML-L-2BK	11	58.5	9.2	56.7	1.2	20.6	2.0 - 3.5	57.1	9.6	10
ML-L-3	ML-L-3BK	11	58.5	9.2	56.7	1.2	20.6	3.5 - 5.0	57.1	9.6	10

Magnetic Latches

SR 1916

Black Pom/ Magnet

- Snap-in style can be installed quickly in a single mounting hole
- Magnet latches can be used to hold metal panel or steel strikers
- No hardware is visible from the outside
- Low breakaway force



Moss

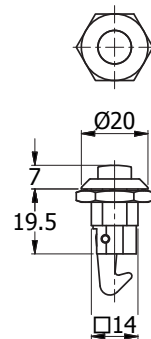
Part Number	Dimensions (mm)				Std Pack Qty
	Hole Size (mm)	Panel Thickness	Head Size	Length	
495243	11.3/9.5 x 6.0	3.5	11.0 x 6.0 x 1.5	10.2	50
495244	12.0/10.0 x 5.0	3.5	12.0 x 5.0 x 1.5	9.0	50

Push to Open/Close Button Latch

SR 5483

Die-Cast Zinc Alloy

- Attractive chrome finish
- Push button opening
- Single hole installation
- To suit panel thickness up to 11mm



Moss

Part Number	Std Pack Qty
498180	50

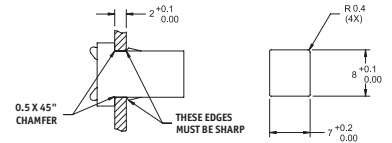
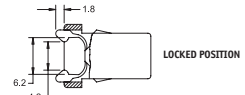
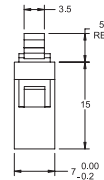
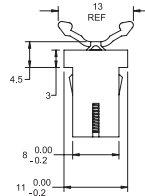
Door Latch and Strikers

DL/DLS

Type 1 - Latch

- Latch - UL94 HB Acetal RMS-121, Spring: Stainless Steel RMS-280
- Locking Stroke: 5.4, Release Stroke: 1.3
- Locking Stroke Force: 500 gr. ± 200 gr.
- Retention Force (Locked) = 1 kg. Min.
- Storage Temperature = -40°C to 80°C
- Continuous Working Temperature = -10 - 60°C
- Storage Temperature = -40°C to 80°C
- Life Cycle = 50,000 operations

Part Number	Type	Mounting Method	Std Pack Qty
DL-1	1	-	500
DL-1WH	1	-	500
DLS-1	2	Reverse Mount	1000
DLS-2	3	#3 or M3 Countersunk Screws	1000



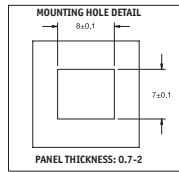
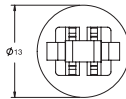
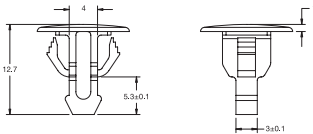
RECOMMENDED STRIKER (NOT SUPPLIED)

RECOMMENDED MOUNTING HOLE

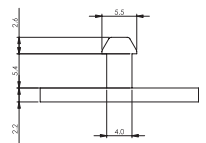
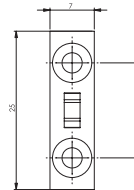
Type 2 & 3 - Strickers

- Black UL94 HB Acetal RMS-14

Type 2 Striker



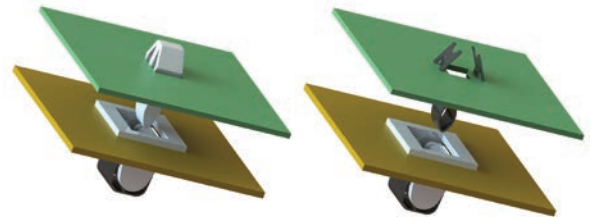
Type 3 Striker



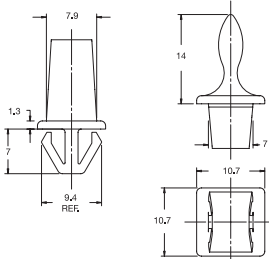
Metal & Plastic Catch & Striker

DCS

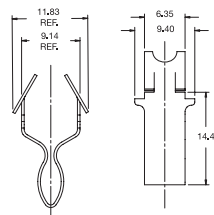
- Type 1 - Striker - Natural POM RMS-14
- Type 2 - Striker - Plated steel RMS-212, Dichromate plated finish RMS-272
- Type 3 - Catch Assembly - Catch: Natural Nylon 6/6 RMS-01, Metal Clip, Plated Steel RMS 212, Black Oxide Finish, RMS-372



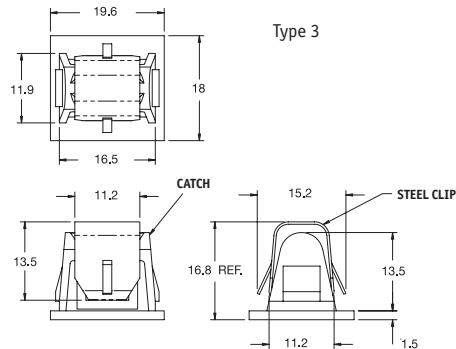
Type 1



Type 2



Type 3



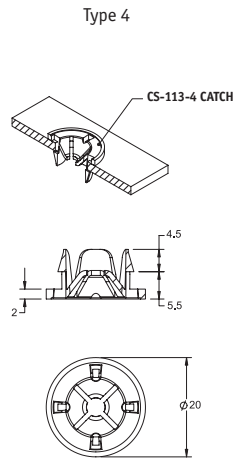
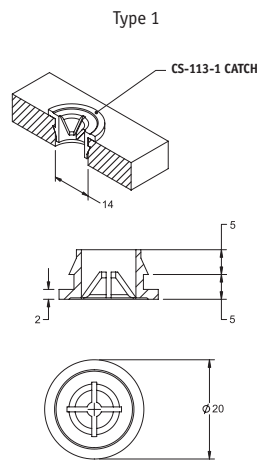
Part Number	Type	Dimensions (mm)		Std Pack Qty
		Mounting Hole	Panel Thickness	
DCS-1	1	7.29 x 7.29	0.81-1.32	500
DCS-4	2	7.29 x 7.29	0.81-1.32	500
DCS-7	3	7.29 x 7.29	0.89-1.57	500

Catch & Striker

CS

- Striker is mounted with the striker base (CS-113-3) and screwed into the door or mounted to outside of removable panel (CS-113-6)
- The catch is designed for mounting either in wood cabinets (CS-113-1) or into a panel (CS-113-4)

Average Insertion & Extraction Data	CS-113-1		CS-113-4	
	Insertion (N)	Extraction (N)	Insertion (N)	Extraction (N)
CS-113-2	34	22	12	11
CS-113-5	24	64	16	38
CS-113-6	24	64	16	38



Catch

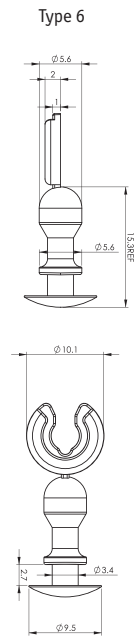
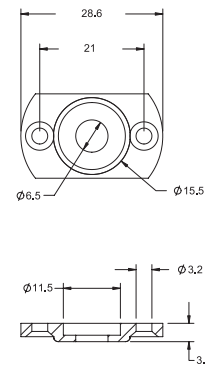
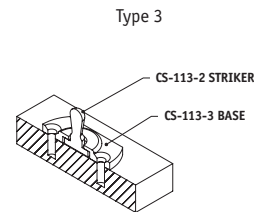
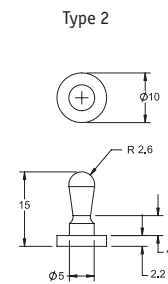
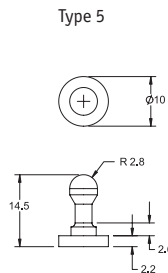
Part Number	Type	Mounting Hole Ø	Mounting Panel Min 10MM board of compliant material (i.e. wood, fiberboard, etc.)	Material	Colour
CS-113-1	1	14		UL94 V2 Supertough Nylon 6/6, RMS-73	Black
CS-113-4	4	14	3.2MM Panel	UL94 V2, Nylon 6, RMS-159	Natural

Striker

Part Number	Type	Mounting Recommendation	Material	Colour	
CS-113-2	2	Use Base CS-113-3	UL94 V2 Supertough Nylon 6/6, RMS-73	Black	
CS-113-5	5	Use Base CS-113-3	UL94 V2 Nylon 6/6, RMS-01	Natural	
CS-113-6	6	Mounting Hole Ø 5.8 - 6.4	"Panel Thickness 1.6"	UL94 HB Impact, Modified Nylon 6/6, RMS-148	Black

Base

Part Number	Type	Recommended Mounting Screw	Material	Colour
CS-113-3	3	"M3 Counter Sunk"	UL94 HB, Acetal, RMS-39	Black



Bolt with Locking System

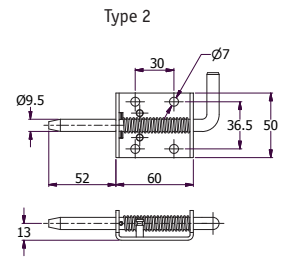
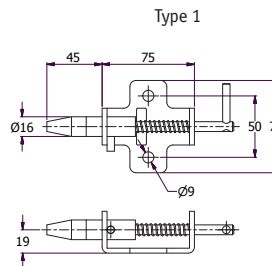
SR5471

Zinc Plated Steel

- Type 1 – Springloaded
- Type 2 – Stops when open
- Heavy duty range



Part Number	Type	Dimensions (mm)		Std Pack Qty
		L	H	
497584	1	152	34	25
497585	2	132	17	25



Metal Leaf Hinges

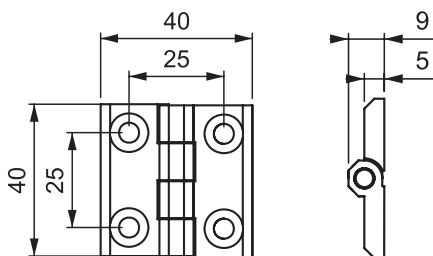
SR 5506

Die-Cast Zinc Alloy

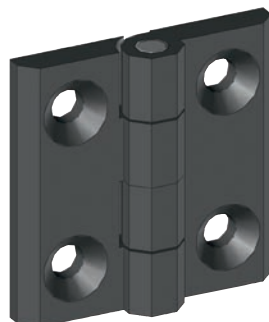
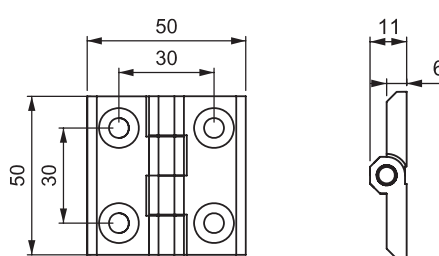
- Stainless steel pin
- For flush mounted doors
- Maximum rotation 270°



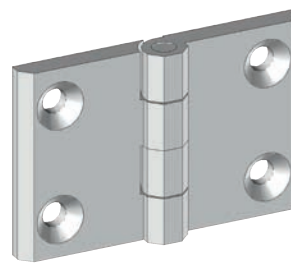
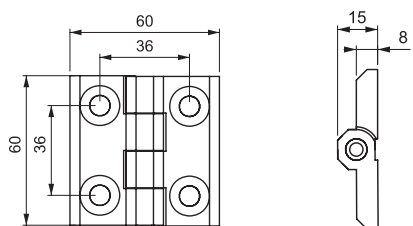
Type 1



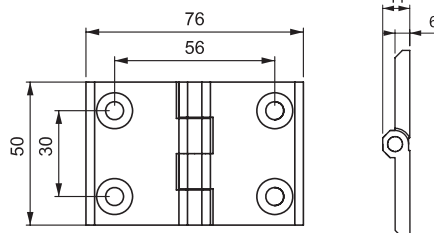
Type 2



Type 3



Type 4



Part Number		Type	Bolt Hole Size	Size (mm)	Std Pack Qty
Chrome Plated	Black Powder Coated				
468172	468190	1	M5	40 x 40	50
468157	468175	2	M6	50 x 50	50
468169	468187	3	M8	60 x 60	50
468163	468181	4	M6	76 x 50	50

All dimensions in mm

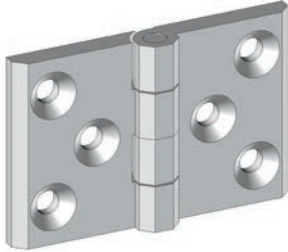
CONTINUED ON NEXT PAGE

Metal Leaf Hinges *CONTINUED*

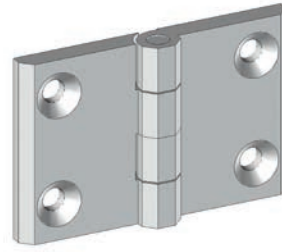
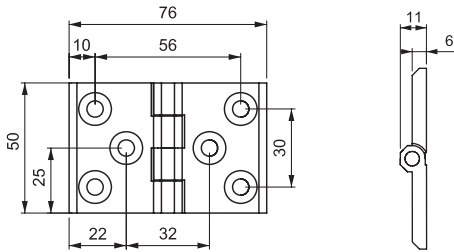
SR 5506

Die-Cast Zinc Alloy

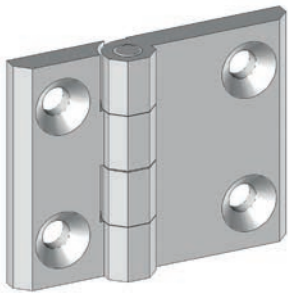
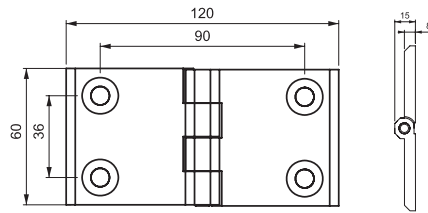
- Stainless steel pin
- For flush mounted doors
- Maximum rotation 270°



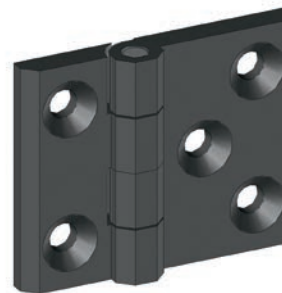
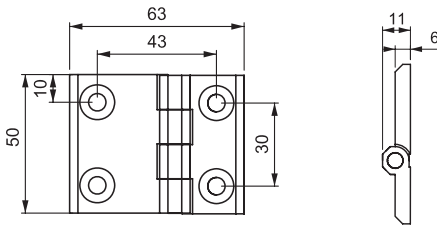
Type 5



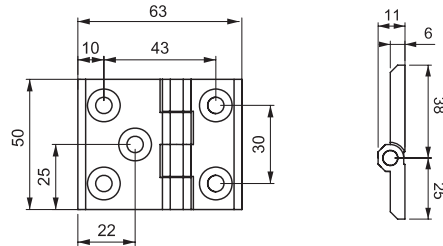
Type 6



Type 7



Type 8



Part Number		Type	Bolt Hole Size	Size (mm)	Std Pack Qty
Chrome Plated	Black Powder Coated				
468159	468177	5	M6	76 x 50	50
468167	468185	6	M8	120 x 60	50
468160	468178	7	M6	63 x 50	50
468158	468176	8	M6	63 x 50	50

All dimensions in mm

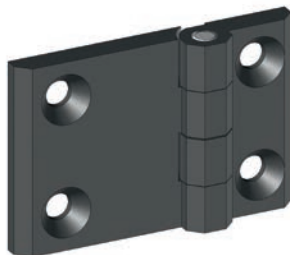
CONTINUED ON NEXT PAGE

Metal Leaf Hinges *CONTINUED*

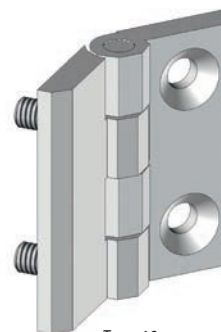
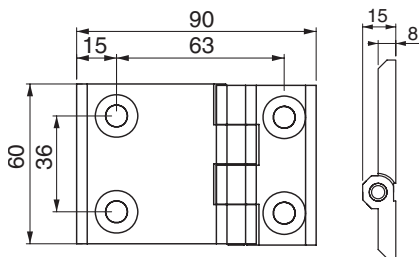
SR 5506

Die-Cast Zinc Alloy

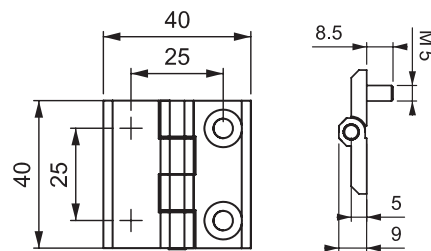
- Stainless steel pin
- For flush mounted doors
- Maximum rotation 270°



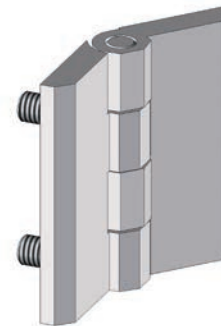
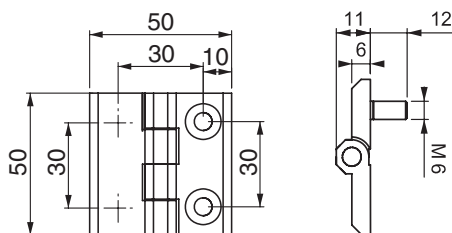
Type 9



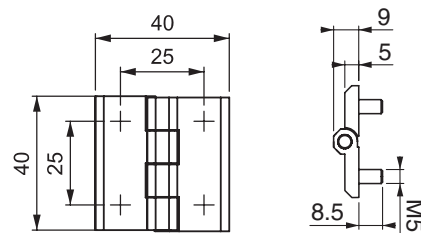
Type 10



Type 11



Type 12



Part Number		Type	Screw Hole Size	Size (mm)	Std Pack Qty
Chrome Plated	Black Powder Coated				
468166	468184	9	M8	90 x 60	30
468171	468189	10	M5	40 x 40	75
468156	468174	11	M6	50 x 50	50
468170	468188	12	-	40 x 40	75

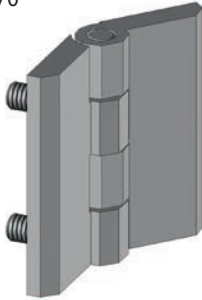
CONTINUED ON NEXT PAGE

Metal Leaf Hinges *CONTINUED*

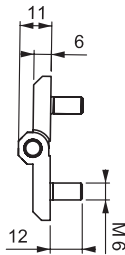
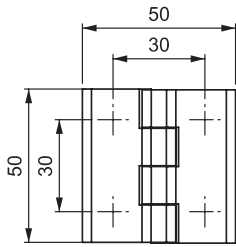
SR 5506

Die-Cast Zinc Alloy

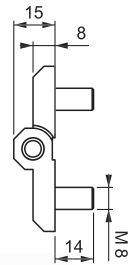
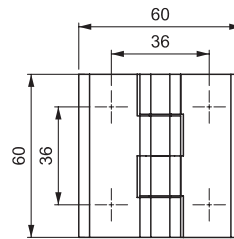
- Stainless steel pin
- For flush mounted doors
- Maximum rotation 270°



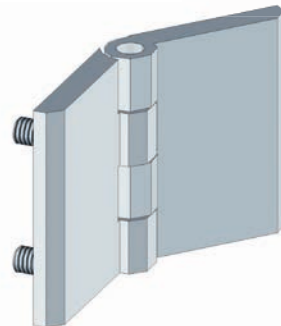
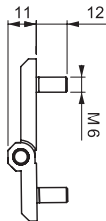
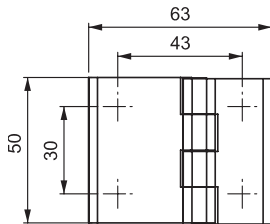
Type 13



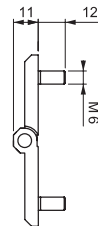
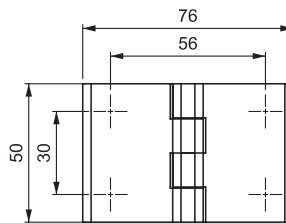
Type 14



Type 15



Type 16



Part Number		Type	Size (mm)	Std Pack Qty
Chrome Plated	Black Powder Coated			
468155	468173	13	50 x 50	50
468164	468182	14	60 x 60	50
468161	468179	15	63 x 50	50
468162	468180	16	76 x 50	50

All dimensions in mm

Metal Leaf Hinges *CONTINUED*

SR 5506

Die-Cast Zinc Alloy

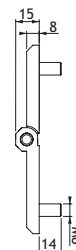
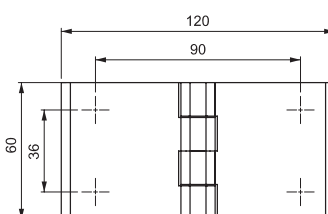
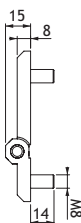
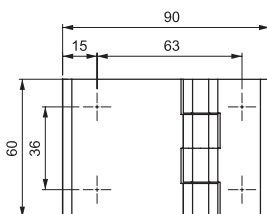
- Stainless steel pin
- For flush mounted doors
- Maximum rotation 270°



Type 17



Type 18



Part Number		Type	Size (mm)	Std Pack Qty
Chrome Plated	Black Coated			
468165	468183	17	90 x 60	25
468168	468186	18	120 x 60	25

All dimensions in mm

Flat Hinges

SR 5546

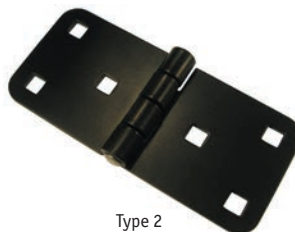
Type 1 & 2: Steel - Black Coated Finish

Type 3: Die-Cast Zinc Alloy & Delrin Bearing

- Stainless Steel Pin
- Type 1 & 2: Very strong hinge - tamperproof
- Type 1 & 2: Supplied with M8 x 12mm fixings
- Type 1 & 2: 270° hinge rotational angle
- Type 3: 180° hinge rotational angle



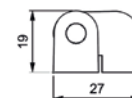
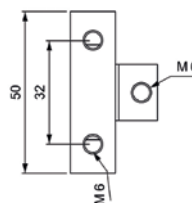
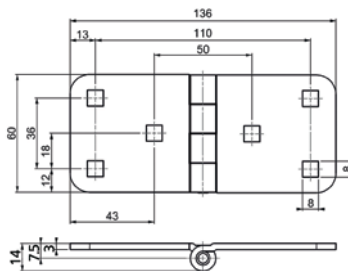
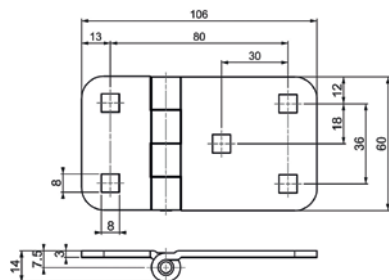
Type 1



Type 2



Type 3



Part Number	Type	Std Pack Qty
491872	1	4
491873	2	4
491875	3	50

Plastic Leaf Hinges

SR 5507

Polyamide 30% glass fibre reinforced

- Stainless steel pin
- Type 1-3 to suit M6 fixings
- Type 4-6 to suit M5 fixings

Moss



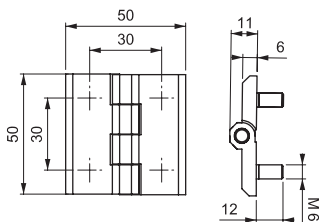
Type 1 & 4



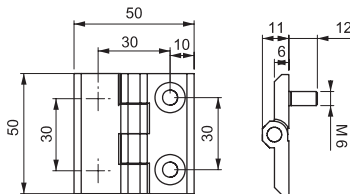
Type 2 & 5



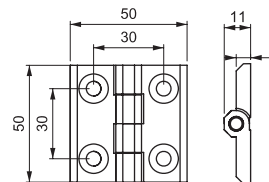
Type 3 & 6



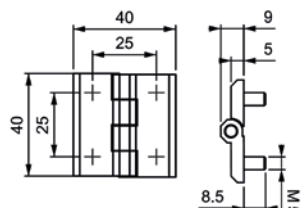
Type 1



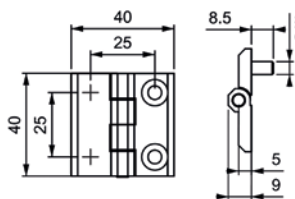
Type 2



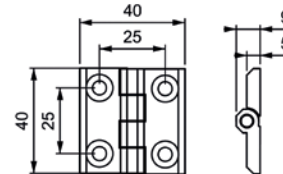
Type 3



Type 4



Type 5



Type 6

All dimensions in mm

50mm x 50mm

Part Number	Type	Std Pack Qty
468192	1	50
468193	2	50
468194	3	50

40mm x 40mm

Part Number	Type	Std Pack Qty
491848	4	100
491849	5	100
491850	6	100

Screw Covers Hinges

SR 6411

Glass fibre reinforced PA, rotation pin from POM

Black, matt finish

- Rotation angle max 200°
- Rotation pin in techno polymer ensures no corrosion



Type 1:

- Glossy plastic screw cover for excellent aesthetic appearance
- Hexagonal pass-through holes for cylindrical screw, hex nut/screw

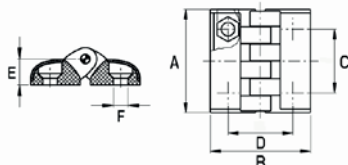
Moss

Part Number	Dimensions (mm)						Std Pack Qty
	A	B	C	D	E	F	
274404059935	49.5	48	30.5	31	11.5	6.5	10
274495159935	65	63	40	40	15	6.5	10
274656159935	65	63	40	40	15	6.5	10

Type 2:

- Pass-through holes for countersunk head screws

Part Number	Dimensions (mm)						Std Pack Qty
	A	B	C	D	E	F	
274404059935	39.5	38	25	25	9	4.5	10
274495059935	39.5	38	25	25	9	4.5	10
274496059935	49.5	48	30.5	31	11.5	5.5	10
274656059935	49.5	48	30.5	31	11.5	5.5	10



Square Design Hinges with 4 Holes or Pins

SR 6497

Black PA reinforced glass fibre (30%) wings
 304 Stainless Steel Knurled Pin
 304 Stainless Steel studs (nuts not supplied)

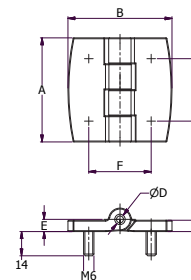
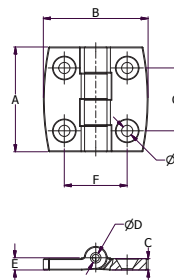
- Resistant and aesthetically pleasing
- Rotation up to 270°
- Corrosion-resistant



Type 1



Type 2



Type 1 - 4 Countersunk Holes

Type 2 - 4 Studs M6

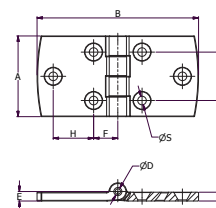
Part Number	Type	Dimensions (mm)									Std Pack Qty
		A	B	C	D	E	F	G	S		
550054	1	30	30	3	3	3.5	18	18	3.2	20	
550055	1	40	40	5.2	4	5.7	25	25	5.3	20	
550056	1	50	50	5.9	5	6.4	30	30	6.4	20	
550057	1	60	60	6.5	6	7	36	36	-	20	
550058	2	60	60	6.5	6	7	36	36	-	20	

Symmetrical Design Hinges with 6 holes

SR 6496

Black PA reinforced glass fibre (30%) wings
 304 Stainless Steel Knurled Pin

- Resistant and aesthetically pleasing
- Rotation up to 270°
- Corrosion-resistant



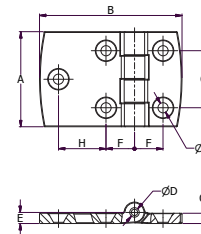
Part Number	Dimensions (mm)									Std Pack Qty
	A	B	C	D	E	F	G	H	S	
550059	40	80	5.2	4	5.7	13.5	25	19	5.3	20
550060	40	120	5.2	4	5.7	14.5	25	38	5.3	20
550061	50	100	5.9	5	6.4	16	30	24	6.4	20

Asymmetrical Design Hinges with 5 holes

SR 6495

Black PA reinforced glass fibre (30%) wings
 304 Stainless Steel Knurled Pin

- Resistant and aesthetically pleasing
- Rotation up to 270°
- Corrosion-resistant



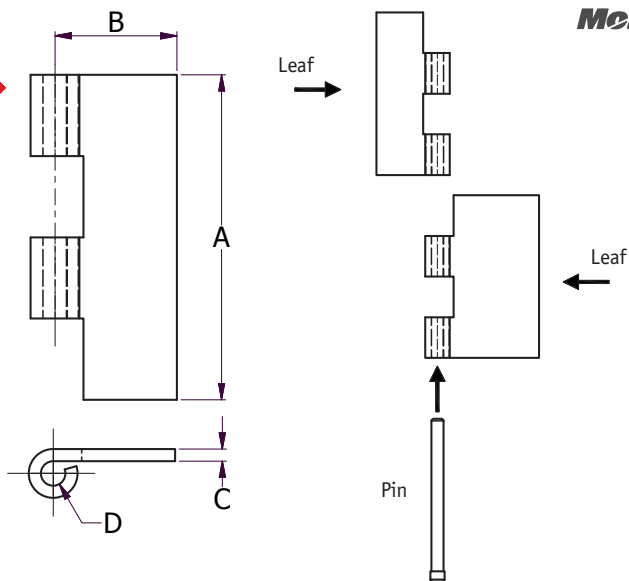
Part Number	Dimensions (mm)									Std Pack Qty
	A	B	C	D	E	F	G	H	S	
550062	40	80	5.2	4	5.7	13.5	25	38	5.3	20
550063	50	75	5.9	5	6.4	15.5	30	24	6.4	20

Modular Lift Off Hinges

SR 6492

Steel with Zinc Plated Steel Pin Ø6
304 Stainless Steel with 304 SS Pin Ø6

- Choose 2 leaves and 1 pin
- Allows fast assembly of components in-house
- Leaves can be customised before assembly by bending, drilling or punching



Moss

Modular Hinges

Part Number		Dimensions (mm)				Std Pack Qty
Steel	SS 304	A	B	C	D	
550071	550077	80	30	3	6	25
550072	550078	80	40	3	6	25
550073	550079	80	50	3	6	25
550074	550080	80	60	3	6	25
550075	550081	80	80	3	6	25

Pins

Part Number		Dimensions (mm)		Std Pack Qty
Steel	SS 304	L	Ø	
550076	550082	80	6	50

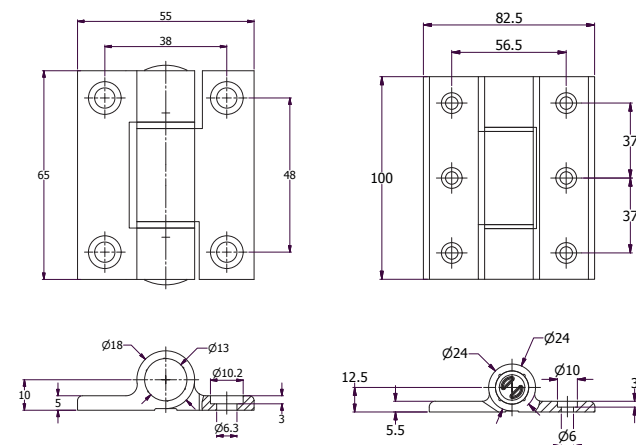
Free Swinging Hinge

SR 6498

Aluminium

Clear anodised finish

- Small hinge has the same footprint and same design as friction, detent and spring hinges. All are fully interchangeable.
- Small hinge with end caps
- Large hinge has the same footprint and same design as large spring hinge. Can be combined or interchangeable.



Moss

Part Number	Dimensions (mm)		Total Swing	Std Pack Qty
	L	W		
550040	65	55	270°	20
550041	100	82.5	270°	20

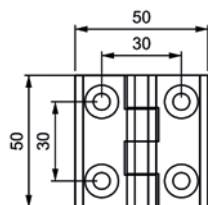
Premium Stainless Steel Leaf Hinges

SR 5562

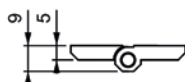
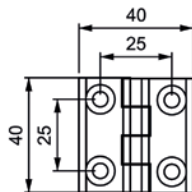
Stainless Steel AISI 304



- 270° Hinge Rotation Angle
- Generally used for plain or flush mounted doors



Type 1



Type 2

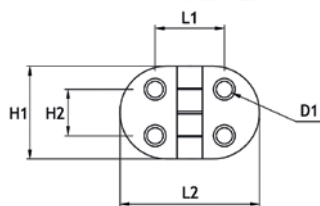


Part Number	Type	Bolt Hole Size	Std Pack Qty
491926	1	M6	25
491927	2	M5	25

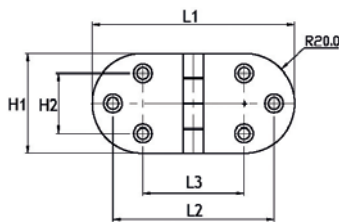
Round Stainless Steel Hinges

SR 5421

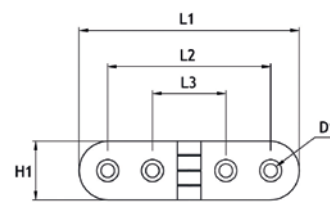
Polished Stainless Steel 304



Type 1



Type 2



Type 3

Part Number	Type	Dimensions (mm)							Std Pack Qty
		L1	L2	L3	H1	H2	W	D1	
491952	1	22.3	45.0	-	30.0	15.0	1.5	5.0	40
491953	2	81.0	64.5	40.5	40.0	24.0	1.5	4.6	40
491956	3	75.0	55.5	25.0	20.0	-	1.5	4.6	40

Square Stainless Steel Hinges

SR 5420

Polished Stainless Steel 304

- General Purpose hinges suitable for a wide variety of applications
- Countersunk Holes

Moss



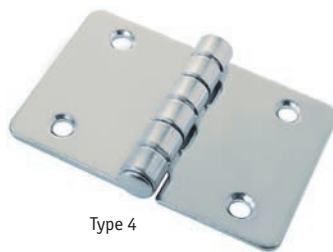
Type 1



Type 2



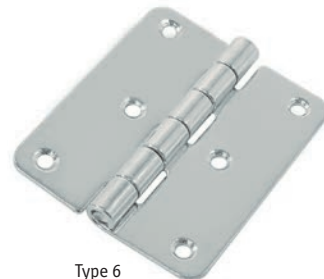
Type 3



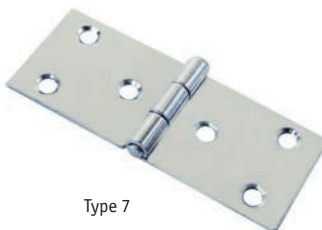
Type 4



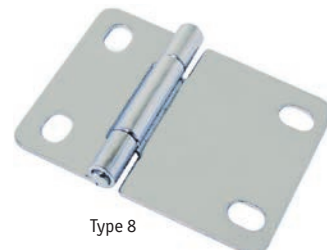
Type 5



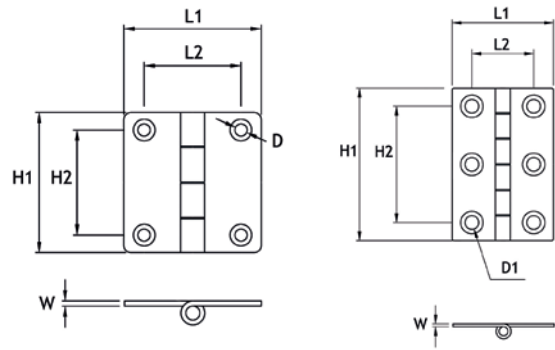
Type 6



Type 7

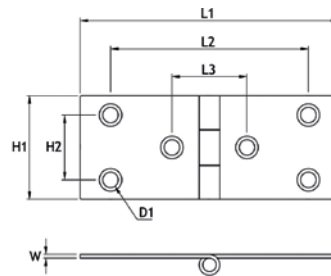


Type 8

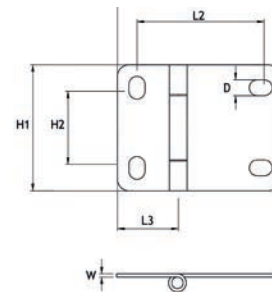


Types 1 to 4

Type 5



Type 6 & 7



Type 8

Part Number	Type	Dimensions (mm)							Std Pack Qty
		L1	L2	L3	H1	H2	W	D1	
491944	1	39.0	27.6	-	40.0	30.0	1.5	3.5	40
491945	2	40.0	25.3	-	40.0	21.2	1.5	4.6	40
491946	3	39.0	23.0	-	40.0	24.0	1.5	4.6	40
491947	4	90.0	60.0	-	60.0	40.0	3.0	6.3	40
491948	5	33.5	20.5	-	50.8	38.8	1.0	4.6	40
491949	6	49.5	35.5	22.8	60.0	48.0	1.5	3.7	40
491950	7	100.0	77.0	29.0	40.0	25.0	1.5	6.0	20
491951	8	70.5	55.0	26.5	55.0	32.0	1.5	6.8	20

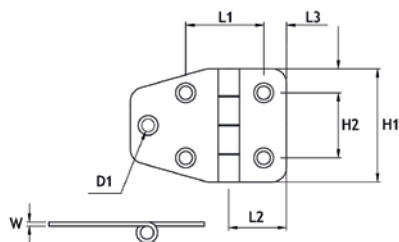
Angled Stainless Steel Hinges

SR 5422

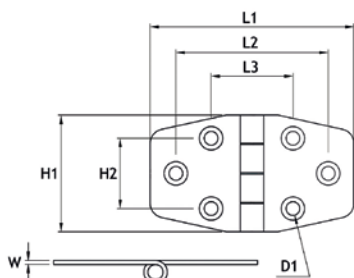
Polished Stainless Steel AISI 304



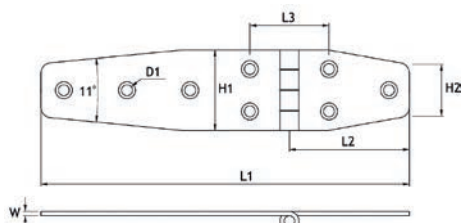
- General purpose hinges suitable for a wide variety of applications
- Countersunk holes



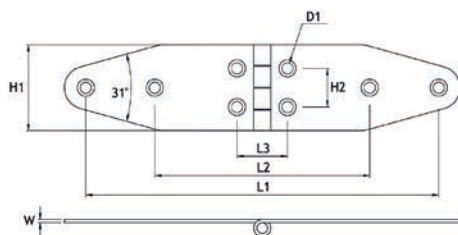
Type 1



Type 2



Type 3



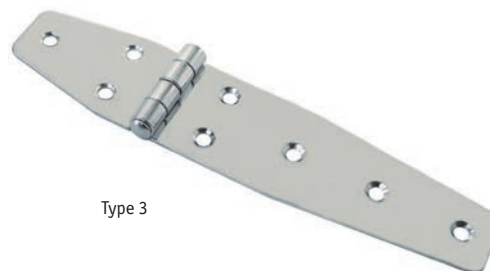
Type 4



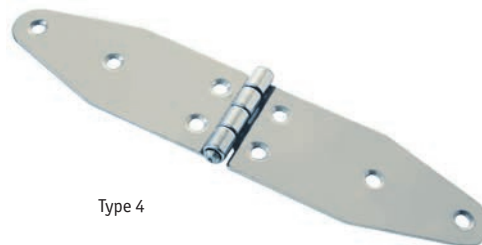
Type 1



Type 2



Type 3



Type 4

Part Number	Type	Dimensions (mm)								Std Pack Qty
		L1	L2	L3	H1	H2	W	D1		
491954	1	27.5	20.3	8.0	40.0	23.0	1.5	4.5	40	
491955	2	69.5	52.0	28.0	40.0	24.0	1.5	4.7	40	
491957	3	175.0	57.0	38.0	38.0	23.5	2.0	5.2	20	
491958	4	165.0	100.5	23.6	40.0	18.0	1.5	5.2	20	

0.9mm Continuous Hinge

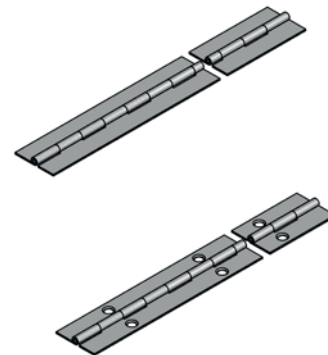
SR5589

Steel / 304 Stainless

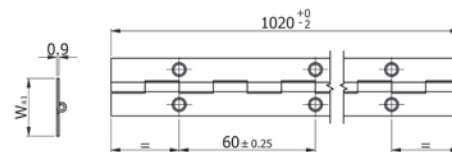
- Light duty continuous hinge
- Sold in packs of 2 x 1020mm lengths
- Available drilled or undrilled
- Can be riveted, screwed or welded in position
- Ideal for lightweight furniture, cabinet/enclosures and sheetmetal fabrication
- Drilled type has holes to suit countersunk No.4 screws



Moss



Type 1 - Undrilled



Type 2 - Drilled

Part Number	W	Type	Material	Std Pack Qty (Pair)
493523	25	1	Steel	1
493524	25	2	Steel	1
493527	32	1	Steel	1
493528	32	2	Steel	1
493525	25	1	Stainless Steel	1
493526	25	2	Stainless Steel	1
493529	32	1	Stainless Steel	1
493530	32	2	Stainless Steel	1
493531	38	1	Steel	1
493532	38	2	Steel	1
493533	38	1	Stainless Steel	1
493534	38	2	Stainless Steel	1

1.2mm Continuous Hinge

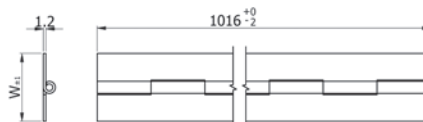
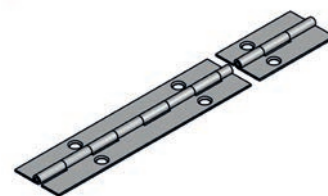
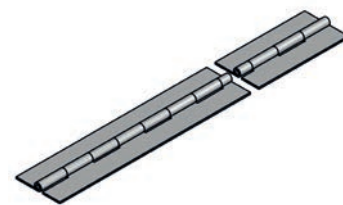
SR5590

Steel / 304 Stainless

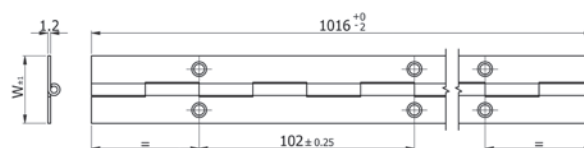
- Light duty continuous hinge
- Sold in packs of 2 x 1020mm lengths
- Available drilled or undrilled
- Can be riveted, screwed or welded in position
- Ideal for lightweight furniture, cabinet/enclosures and sheetmetal fabrication
- Drilled type has holes to suit countersunk No.6 screws



Moss



Type 1 - Undrilled



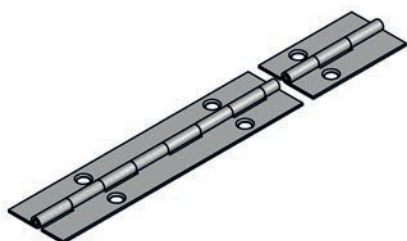
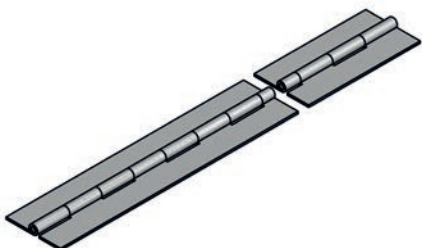
Type 2 - Drilled

Part Number	W	Type	Material	Std Pack Qty (Pair)
493535	32	1	Steel	1
493536	32	2	Steel	1
493537	32	1	Stainless Steel	1
493538	32	2	Stainless Steel	1
493539	38	1	Steel	1
493540	38	2	Steel	1
493541	38	1	Stainless Steel	1
493542	38	2	Stainless Steel	1

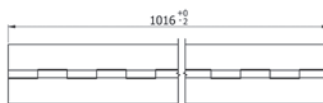
1.6mm Continuous Hinge

SR5591

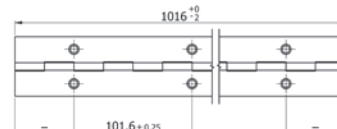
Steel / 304 Stainless Steel



- Medium duty continuous hinge
- Sold in packs of 2x1016mm lengths
- Available drilled or undrilled
- Can be riveted, screwed or welded in position
- Suits a wide range of commercial and engineering applications
- Drilled type has holes to suit countersunk No.8 screws



Type 1 - Undrilled



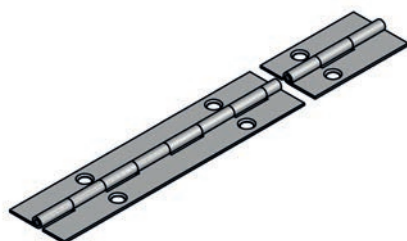
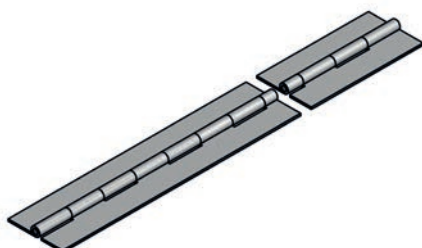
Type 2 - Drilled

Part Number	W	Type	Material	Std Pack Qty (Pair)
493543	50.8	1	Steel	1
493544	50.8	2	Steel	1
493545	50.8	1	Stainless Steel	1
493546	50.8	2	Stainless Steel	1

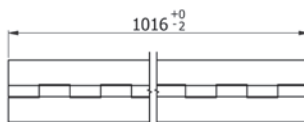
2mm Continuous Hinge

SR5592

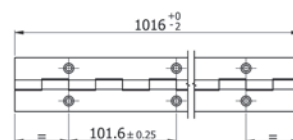
Steel or 304 Stainless Steel



- Heavy duty continuous hinge
- Sold in packs of 2x1016mm lengths
- Available drilled or undrilled
- Can be riveted, screwed or welded in position
- Suits a wide range of commercial and engineering applications
- Drilled type has holes to suit countersunk No.8 screws



Type 1 - Undrilled



Type 2 - Drilled

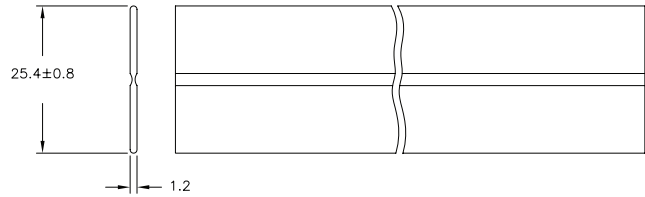
Part Number	W	Type	Material	Std Pack Qty (Pair)
493549	51	1	Steel	1
493550	51	2	Steel	1
493551	51	1	Stainless Steel	1
493552	51	2	Stainless Steel	1
493553	64	1	Steel	1
493554	64	2	Steel	1
493555	64	1	Stainless Steel	1
493556	64	2	Stainless Steel	1

Single Living Hinge

SLH-16-1

Natural Polypropylene, RMS-54

Moss



Part Number	Std Pack Qty (metres)
SLH-16-1	30M Rolls

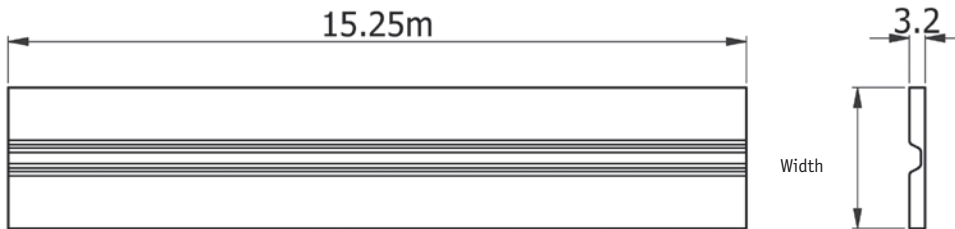
Continuous Plastic Hinge

SR 5578

Polypropylene

- Temperature range -40C to +80C
- Can be fixed with; rivets, screws, nails or clamps
- Chemical resistance; oil, solvents and sea water
- Tensile resistance - 180N/cm
- Supplied in 15.25m rolls

Moss



Part Number	Colour	Width	Std Pack Qty (metres)
493466	White	28.6	15.25
493467	Grey	28.6	15.25
493468	Black	28.6	15.25
493469	White	38.1	15.25
493470	Grey	38.1	15.25
493471	Black	38.1	15.25
493472	White	50.8	15.25
493473	Grey	50.8	15.25
493474	Black	50.8	15.25

Steel Weld On Hinge

SR 5582

Steel/Brass

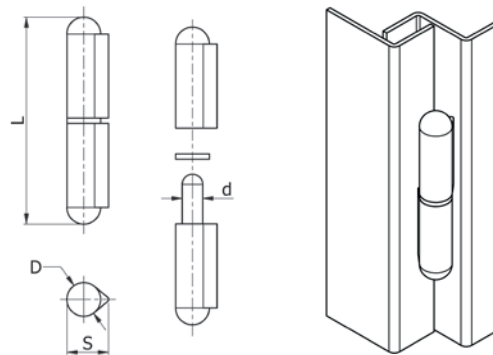
- Very simple design
- Available with steel or brass pin
- Extremely versatile
- Available with or without grease nipple

Type 1



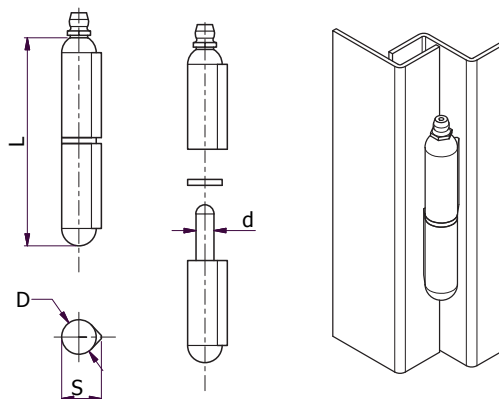
Steel Pin

Brass Pin



Part Number		Type	Dimensions (mm)				Std Pack Qty
Steel Pin Version	Brass Pin Version		L	D	d	S	
493488	493497	1	40.0	8.0	5.0	10.0	50
493489	493498	1	50.0	8.0	5.0	10.0	50
493490	493499	1	60.0	10.0	6.0	12.5	50
493491	493500	1	70.0	11.5	6.0	13.2	25
493492	493501	1	80.0	13.0	8.0	16.0	25
493493	493502	1	100.0	16.0	10.0	20.0	25
493494	493503	1	120.0	16.0	10.0	20.0	25
493495	493504	1	150.0	20.0	13.0	25.0	25
493496	493505	1	180.0	20.0	13.0	25.0	25

Type 2



Part Number		Type	Dimensions (mm)				Std Pack Qty
Steel Pin Version	Brass Pin Version		L	D	d	S	
497540	497547	2	60.0	10.0	6.0	12.5	50
497541	497548	2	70.0	11.5	6.0	13.2	25
497542	497549	2	80.0	13.0	8.0	16.0	25
497543	497550	2	100.0	16.0	10.0	20.0	25
497544	497551	2	120.0	16.0	10.0	20.0	25
497545	497552	2	150.0	20.0	13.0	25.0	25
497546	497553	2	180.0	20.0	13.0	25.0	25

Aluminium Weld On Hinge

SR 5583

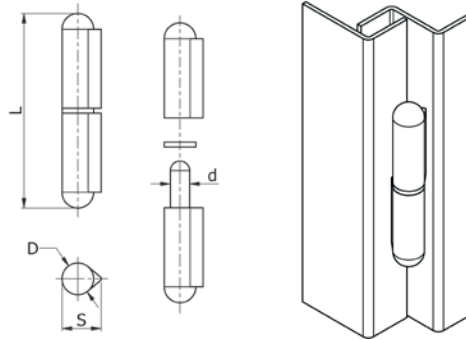
Aluminium

- Very simple design
- Stainless Steel washer
- Extremely versatile
- Available with or without grease nipple



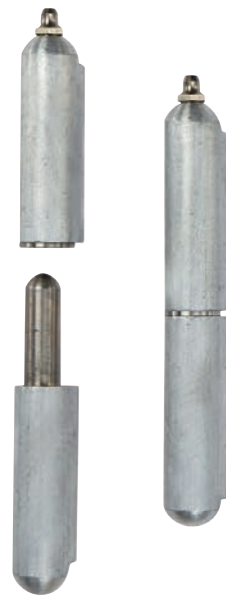
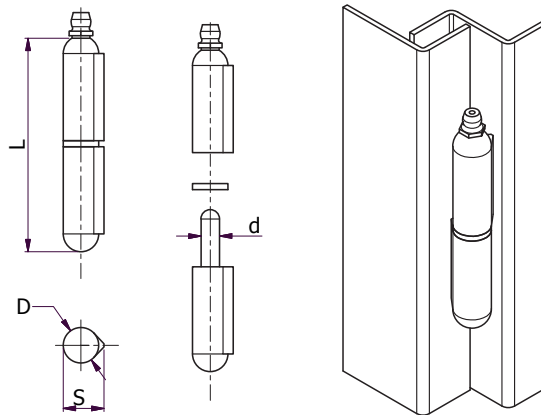
Moss

Type 1



Part Number	Type	Dimensions (mm)				Std Pack Qty
		L	D	d	S	
493506	1	60.0	10.0	6.0	12.5	50
493507	1	80.0	13.0	8.0	16.0	50
493508	1	100.0	16.0	10.0	20.0	20
493509	1	120.0	16.0	10.0	20.0	20

Type 2



Part Number	Type	Dimensions (mm)				Std Pack Qty
		L	D	d	S	
497554	2	60.0	10.0	6.0	12.5	50
497555	2	80.0	13.0	8.0	16.0	50
497556	2	100.0	16.0	10.0	20.0	25
497557	2	120.0	16.0	10.0	20.0	25

Stainless Steel Weld On Hinge

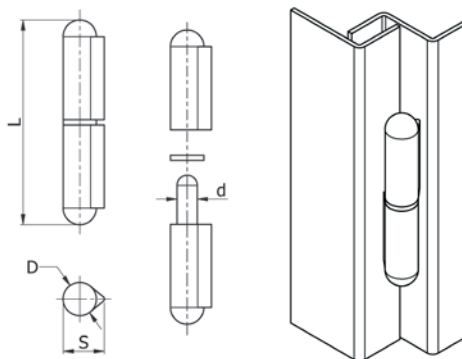
SR 5584

Stainless Steel

- Very simple design
- Extremely versatile
- Available with or without grease nipple

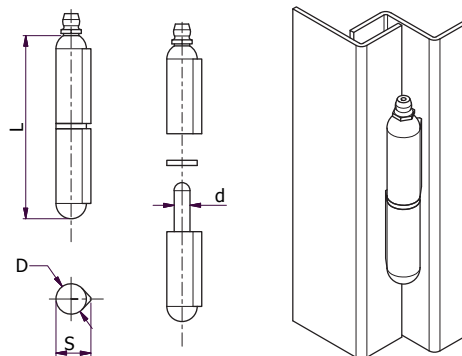


Type 1



Part Number	Type	Dimensions (mm)				Std Pack Qty
		L	D	d	S	
493510	1	60.0	10.0	6.0	12.5	50
493511	1	80.0	13.0	8.0	16.0	25
493512	1	100.0	16.0	10.0	20.0	25
493513	1	120.0	16.0	10.0	20.0	25

Type 2



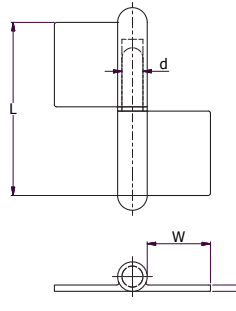
Part Number	Type	Dimensions (mm)				Std Pack Qty
		L	D	d	S	
497558	2	60.0	10.0	6.0	12.5	50
497559	2	80.0	13.0	8.0	16.0	25
497560	2	100.0	16.0	10.0	20.0	25
497561	2	120.0	16.0	10.0	20.0	25

Rolled Flag Hinges

SR5477

Stainless Steel, Steel or Aluminium

- Fixed pin hinge
- 2 part rolled steel body with round end caps and brass washers
- Hinges are handed



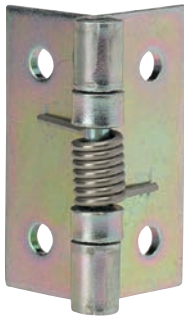
Part Number		Dimensions (mm)				Body Material	Pin Material	End Cap Material	Std Pack Qty
Right Handed	Left Handed	L	W	t	d				
497628	497909	60	30	3	10	Stainless Steel	Stainless steel	Stainless Steel	20
497629	497910	80	30	3	10	Stainless Steel	Stainless steel	Stainless Steel	20
497630	497911	100	50	3	10	Stainless Steel	Stainless steel	Stainless Steel	10
497631	497912	120	50	3	10	Stainless Steel	Stainless steel	Stainless Steel	10
499574	497917	60	30	3	10	Aluminium	Stainless steel	Aluminium	20
499575	497918	80	30	3	10	Aluminium	Stainless steel	Aluminium	20
499576	497919	100	50	3	10	Aluminium	Stainless steel	Aluminium	10
499577	497920	120	50	3	10	Aluminium	Stainless steel	Aluminium	10
497632	497913	60	30	3	10	Steel	Steel	Steel	20
497633	497914	80	30	3	10	Steel	Steel	Steel	20
497634	497915	100	50	3	10	Steel	Steel	Steel	10
499573	497916	120	50	3	10	Steel	Steel	Steel	10
499578	498423	60	30	3	10	Steel	Brass	Steel	20
499579	498424	80	30	3	10	Steel	Brass	Steel	20
499580	498425	100	50	3	10	Steel	Brass	Steel	10
499581	498426	120	50	3	10	Steel	Brass	Steel	10

Spring Hinges

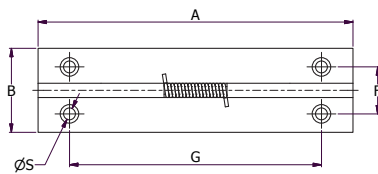
SR5472



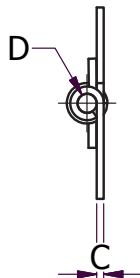
Mess



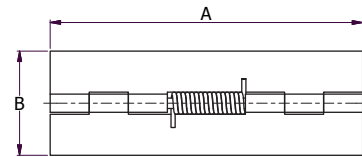
Drilled



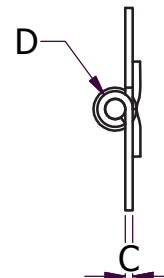
Opening Spring



Undrilled



Closing Spring



CONTINUED ON NEXT PAGE

Spring Hinge 50x50

Opening spring force in N.m:

M(0°):1,5 N.m / M(90°): 1,1 N.m / M(180°): 0,65 N.m

Closing spring force in N.m:

M(0°):0,25 N.m / M(90°): 0,65 N.m / M(180°):1,1 N.m

Part Number	Material / Finish	Spring Action	Type - Holes	Spring Material	Dimensions (mm)							Std Pack Qty
					A	B	C	D	F	G	S	
497591	Steel / Zinc Plated	Opening	Drilled - 4	Stainless Steel	50	50	2	4	9	30	5	25
497593	304 Stainless Steel / Raw	Opening	Drilled - 4	Stainless Steel	50	50	2	4	10	30	5	25
497592	Steel / Zinc Plated	Closing	Drilled - 4	Stainless Steel	50	50	2	4	9	30	5	25
497594	304 Stainless Steel / Raw	Closing	Drilled - 4	Stainless Steel	50	50	2	4	10	30	5	25

Spring Hinge 60x35

Opening spring force in N.m:

M(0°):0,09 N.m / M(90°): 0,07 N.m / M(180°): 0,045 N.m

Closing spring force in N.m:

M(0°):0,045 N.m / M(90°): 0,07 N.m / M(180°): 0,09 N.m

Part Number	Material / Finish	Spring Action	Type - Holes	Spring Material	Dimensions (mm)							Std Pack Qty
					A	B	C	D	F	G	S	
497586	Steel / Raw	Opening	1/2 Drilled -2*	steel	60	35	1	3	7,5	35	5	25
497587	Stainless Steel / Raw	Opening	1/2 Drilled -2*	Stainless Steel	60	35	1	3	7,5	35	5	25
497588	Steel / Raw	Closing	1/2 Drilled -2*	Stainless Steel	60	35	1	3	7,5	35	5	25

* holes on one side only

Spring Hinge 75x20

Opening spring force in N.m:

M(0°):0,12 N.m / M(90°): 0,09 N.m / M(180°): 0,06 N.m

Part Number	Material / Finish	Spring Action	Type - Holes	Spring Material	Dimensions (mm)							Std Pack Qty
					A	B	C	D	F	G	S	
497589	Steel / Raw	Opening	Drilled - 4	Stainless Steel	75	20	0,8	1,8	11,2	60	2,8	25
497590	304 Stainless Steel / Raw	Opening	Drilled - 4	Stainless Steel	75	20	0,8	1,8	11,2	60	2,8	25

Spring Hinge 120x40

Opening spring force in N.m:

M(0°):0,85 N.m / M(90°): 0,56 N.m / M(180°): 0,28 N.m

Closing spring force in N.m:

M(0°):0,28 N.m / M(90°): 0,56 N.m / M(180°): 0,85 N.m

Part Number	Material / Finish	Spring Action	Type - Holes	Spring Material	Dimensions (mm)							Std Pack Qty
					A	B	C	D	F	G	S	
550042	Stainless Steel / Raw	Opening	Drilled - 4	Stainless Steel	120	40	1,5	4	22,7	60	4	25
550044	Stainless Steel / Raw	Opening	Undrilled	Stainless Steel	120	40	1,5	4	-	-	-	25
550043	Stainless Steel / Raw	Closing	Drilled - 4	Stainless Steel	120	40	1,5	4	22,7	60	4	25
550045	Stainless Steel / Raw	Closing	Undrilled	Stainless Steel	120	40	1,5	4	-	-	-	25

Spring Hinge 180x40

Opening spring force in N.m:

M(0°):1,7 N.m / M(90°): 1,1 N.m / M(180°): 0,56 N.m

Closing spring force in N.m:

M(0°):0,56 N.m / M(90°): 1,1 N.m / M(180°): 1,7 N.m

Part Number	Material / Finish	Spring Action	Type - Holes	Spring Material	Dimensions (mm)							Std Pack Qty
					A	B	C	D	F	G	S	
550046	Stainless Steel / Raw	Opening	Drilled - 6	Stainless Steel	180	40	1,5	4	22,7	60	4	25
550048	Stainless Steel / Raw	Opening	Undrilled	Stainless Steel	180	40	1,5	4	-	-	-	25
550047	Stainless Steel / Raw	Closing	Drilled - 6	Stainless Steel	180	40	1,5	4	22,7	60	4	25
550049	Stainless Steel / Raw	Closing	Undrilled	Stainless Steel	180	40	1,5	4	-	-	-	25

Spring Hinge 240x40

Opening spring force in N.m:

M(0°):2,55 N.m / M(90°): 1,68 N.m / M(180°): 0,84 N.m

Closing spring force in N.m:

M(0°):0,84 N.m / M(90°): 1,68 N.m / M(180°): 2,55 N.m

Part Number	Material / Finish	Spring Action	Type - Holes	Spring Material	Dimensions (mm)							Std Pack Qty
					A	B	C	D	F	G	S	
550050	Stainless Steel / Raw	Opening	Drilled - 8	Stainless Steel	240	40	1,5	4	22,7	60	4	25
550052	Stainless Steel / Raw	Opening	Undrilled	Stainless Steel	240	40	1,5	4	-	-	-	25
550051	Stainless Steel / Raw	Closing	Drilled - 8	Stainless Steel	240	40	1,5	4	22,7	60	4	25
550053	Stainless Steel / Raw	Closing	Undrilled	Stainless Steel	240	40	1,5	4	-	-	-	25

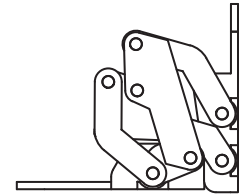
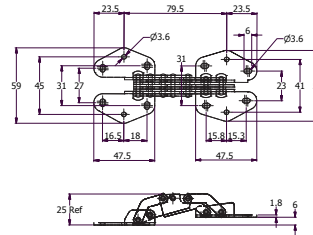
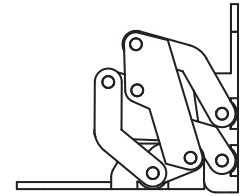
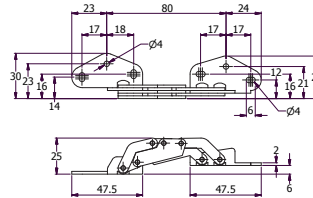
Concealed Hinges

SR 5468

Steel

Handed Hinges

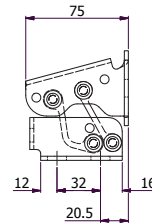
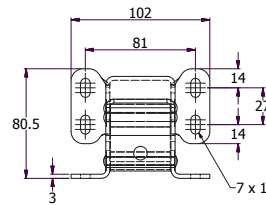
- 90° Hinge Rotation Angle
- Reinforced multi-links articulation design offers a high resistance to bending and twisting due to high rigidity
- Left-Hand and Right-hand application is possible
- High mechanical strength
- Suitable for light or heavy duty applications
- Zinc plated



Part Number	Dimensions (mm)		Orientation	Std Pack Qty
	H	L		
497568	30.2	126.5	Left Handed	25
497569	30.2	126.5	Right Handed	25
497570	58.6	126.5	Non-Handed	25

Pin Hinges

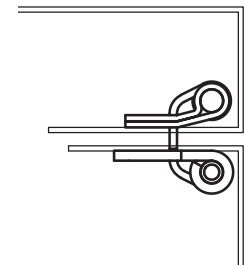
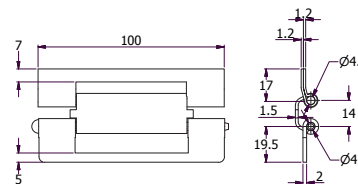
- 110° Hinge Rotation Angle
- High mechanical strength
- Ideal for heavy duty applications
- Zinc plated
- Anodised aluminium links



Part Number	Std Pack Qty
497571	25

Hinges with Removable Pin

- 180° Hinge Rotation Angle
- Ideal for metallic enclosures
- Door opens at two stages
- Removable pin makes for straightforward disassembly of doors
- Robust fixing by welding
- Maximum door thickness of 1mm



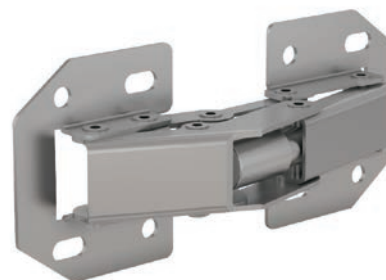
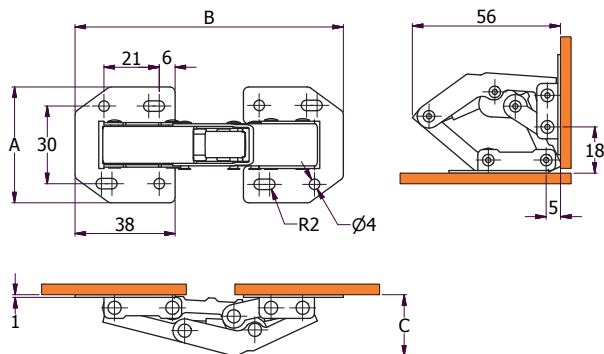
Part Number	Std Pack Qty
497572	25

CONTINUED ON NEXT PAGE

Concealed Hinges *CONTINUED*

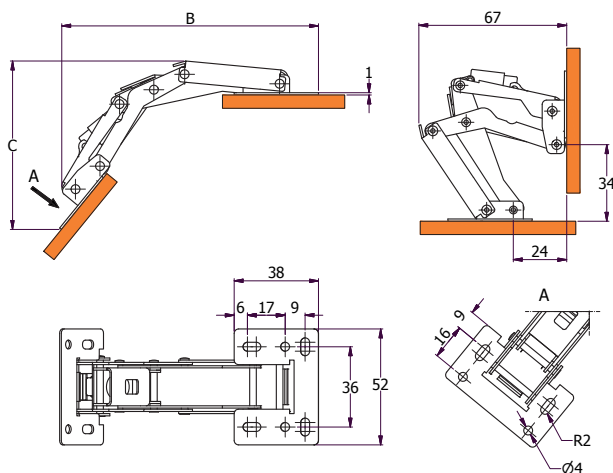
SR 5468

Spring Loaded Concealed Hinge 90° Opening



Part Number	Material	Finish	Dimensions (mm)			Std Pack Qty
			A	B	C	
550064	Steel	Nickel Plated	42	106	26	20
550065	316 Stainless Steel	Raw	44	104.5	26	20

Spring Loaded Concealed Hinge 150° Opening



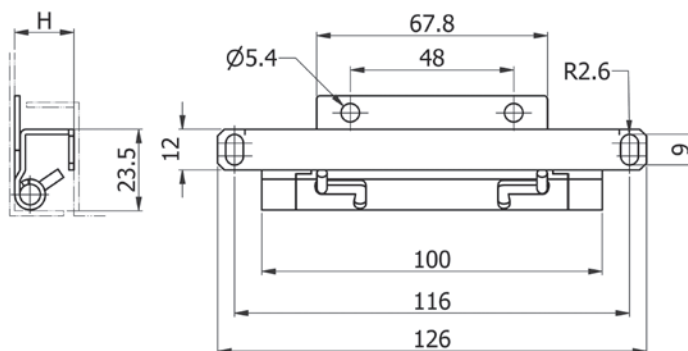
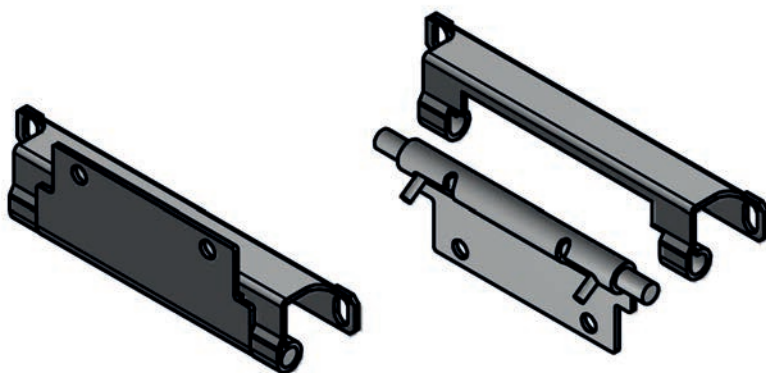
Part Number	Material	Finish	Dimensions (mm)			Std Pack Qty
			A	B	C	
550066	Steel	Nickel Plated	52	112	81	20
550067	304 Stainless Steel	Electro Plated	52	112	81	20

Removable Concealed Hinge

SR 5599

Zinc Plated Steel

- Concealed hinge
- Allows quick and easy door removal
- To suit M5 screws (not supplied)
- 120° Hinge rotation angle



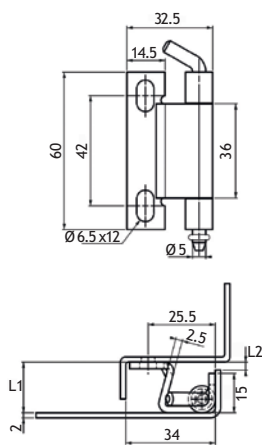
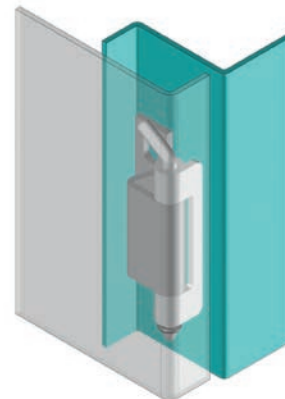
Part Number	H	Std Pack Qty
493581	17.5	10
493582	20.5	10
493583	23.9	10

Concealed Hinges

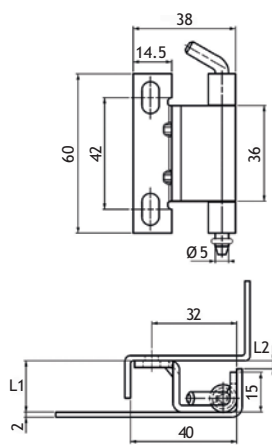
SR 5545

Zinc Plated Steel or Stainless Steel AISI 304

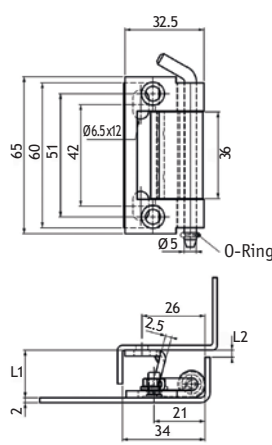
- Left-hand and right-hand application is possible
- Ideal for metal enclosures and machinery covers
- Type 1-6: Hinge rotational angle of 120°
- Type 5: Frame part - screw on, door part - weld on
- Type 7: Hinge rotational angle of 135°
- Type 8 & 9: Suitable for internally mounted doors



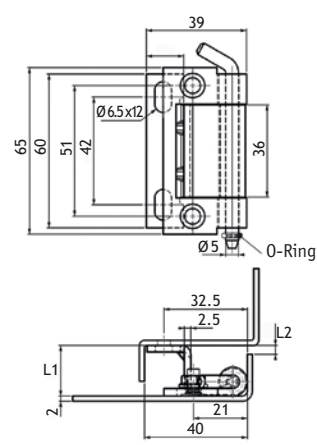
Type 1



Type 2



Type 3



Type 4

Type 1 & 2 - (frame Part screw on & door part welded on)

Part Number		Type	L1	Std Pack Qty
Zinc Plated Steel	Stainless Steel			
491854	491913	1	20	100
491855	491914	1	24	100
491856	491915	2	20	100
491857	491916	2	24	100

Type 3 & 4

Part Number		Type	L1	Std Pack Qty
Zinc Plated Steel	Stainless Steel			
491858	491917	3	20	100
491859	491918	3	24	100
491860	491919	4	20	100
491861	491920	4	24	100

Concealed Hinge *CONTINUED*

SR 5545

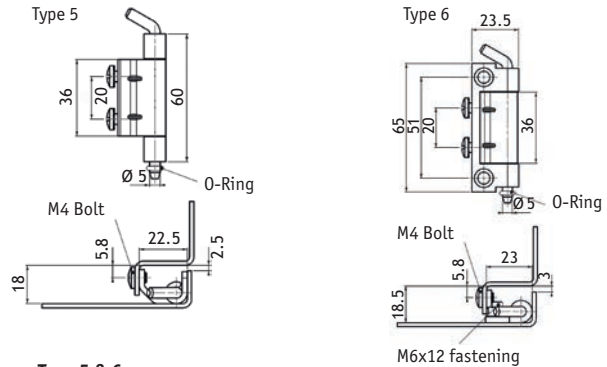
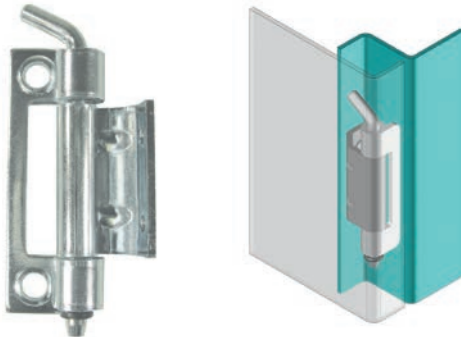
Zinc Plated Steel or Stainless Steel AISI 304

- Left-hand and right-hand application is possible
- Ideal for metal enclosures and machinery covers



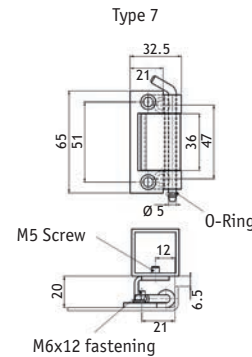
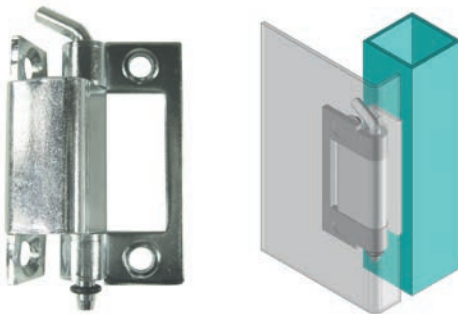
MOSS

- Type 1-6: Hinge rotational angle of 120°
- Type 5: Frame part - screw on, door part - weld on
- Type 7: Hinge rotational angle of 135°
- Type 8 & 9: Suitable for internally mounted doors



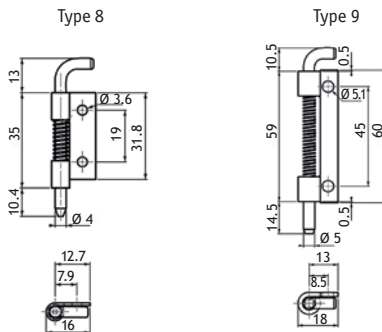
Type 5 & 6

Part Number		Type	Std Pack Qty
Zinc Plated Steel	Stainless Steel	5	100
491862	491921	6	100
491863	491922	6	100



Type 7

Part Number		Type	Std Pack Qty
Zinc Plated Steel	Stainless Steel	7	100
491864	491923	7	100



Type 8 & 9 (spring loaded for easy door removal)

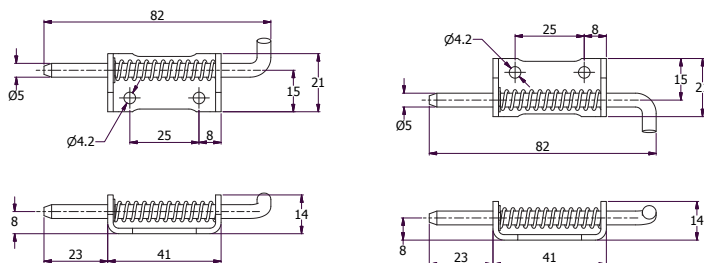
Part Number				Type	Std Pack Qty
Zinc Plated Steel		Stainless Steel			
Left Hand	Right Hand	Left Hand	Right Hand	8	50
491168	491865	491169	491924	9	50
491167	491866	491170	491925		

Concealed Springloaded Pin Hinge

SR 5469

Stainless Steel

- Retractable spring loaded pin allows the quick assembly and disassembly of the door without the aid of a tool
- Left-hand and right-hand application is possible
- Can be used as both a locking and positioning device



Type 1

Type 2

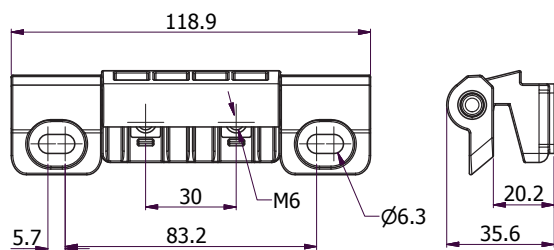
Part Number	Type	Housing Material	Finish	Dimensions (mm)					Std Pack Qty
				L	H	W	D	d	
497573	1	Steel	Raw	82	21	14	5	12	25
497575	1	Steel	Zinc Plated	82	21	14	5	12	25
497577	1	304 Stainless Steel	Raw	82	21	14	5	12	25
497574	2	Steel	Raw	82	21	14	5	12	25
497576	2	Steel	Zinc Plated	82	21	14	5	12	25
497578	2	304 Stainless Steel	Raw	82	21	14	5	12	25

Concealed Hinge

SR 5482

ABS

- Suitable for lightweight panels and applications
- Left and right hand application is possible
- Suitable for M6 screws
- 90° hinge rotation angle



Part Number	Std Pack Qty
498297	25

Corner Hinges

SR 5508

Die-Cast Zinc Alloy

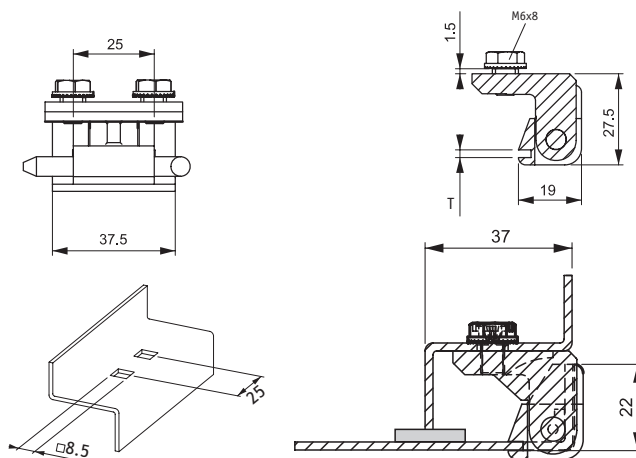
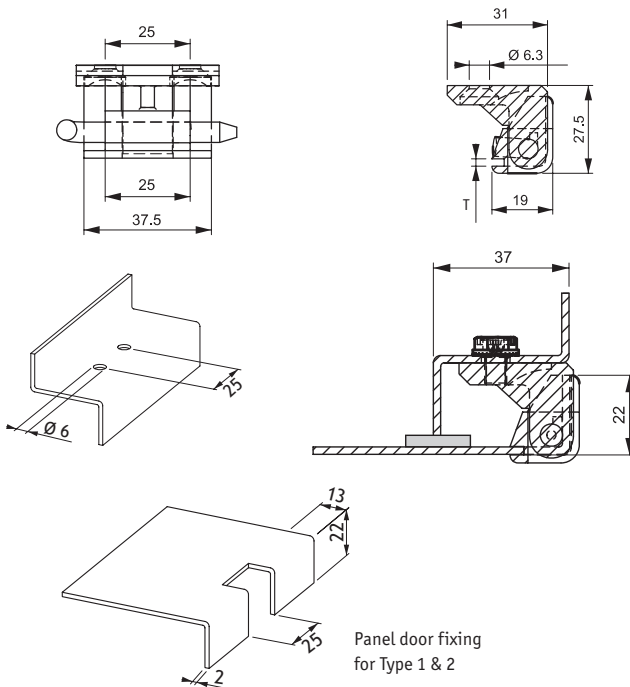
- Pin type 1 from plastic (POM)
- Pin type 2 from stainless steel
- Hinge rotational angle of 180°



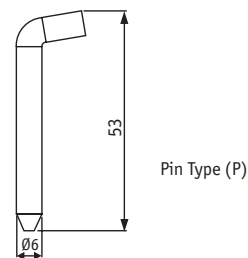
Type 1



Type 2



P=2



Part Number	Type	Pin Type (P)	Panel Thickness (mm)	T(mm)	Std Pack Qty
468195	1	2	2	2.2	50
468196	2	2	2	2.2	50

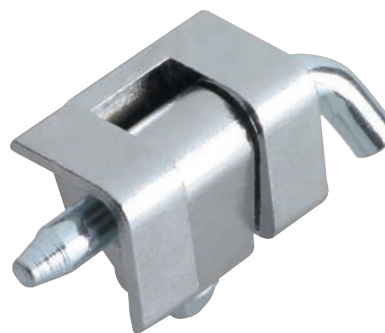
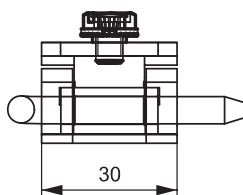
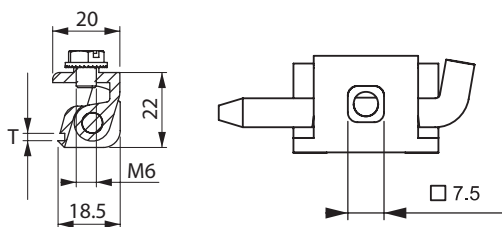
All dimensions in mm

Corner Hinge *CONTINUED*

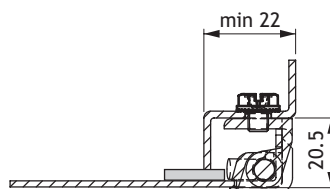
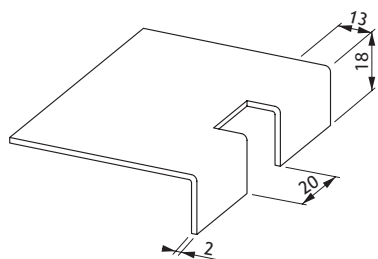
SR 5508

Die-Cast Zinc Alloy

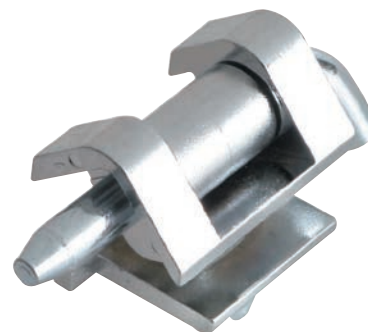
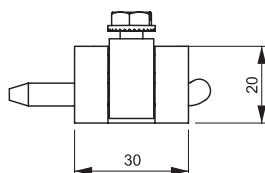
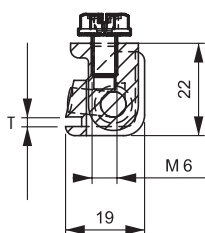
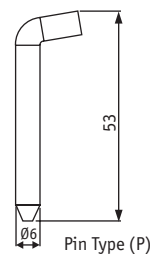
- Pin type 1 from plastic (POM)
- Pin type 2 from stainless steel
- Hinge rotational angle of 180°



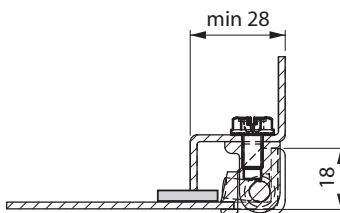
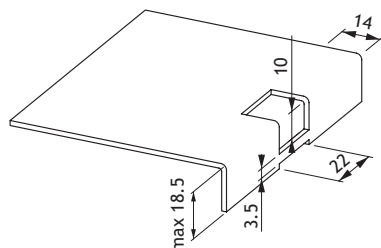
Type 3



P=2



Type 4



Part Number		Type	Pin Type (P)	Panel Thickness (mm)	T	Std Pack Qty
Chrome	Black Coated					
468211	468214	3	2	1.0-1.2	1.5	50
468217	468220	3	2	1.5-2.0	2.2	50
468198	468201	4	2	1.0-1.2	1.5	50
468204	468207	4	2	1.5-2.0	2.2	50

All dimensions in mm

CONTINUED ON NEXT PAGE

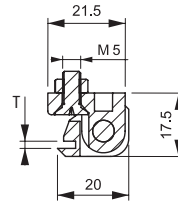
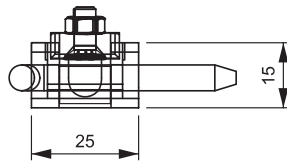
Corner Hinge CONTINUED

Moss

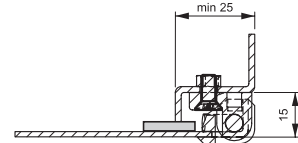
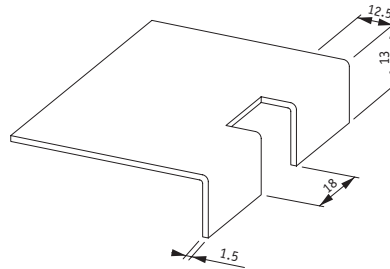
SR 5508

Polyamide 30% Glass Fibre Reinforced

- Pin type 1 from plastic (POM)



Pin Type (P)



Part Number	Type	Pin Type (P)	Panel Thickness (mm)	T	Std Pack Qty
468209	5	1	1.5	2	100

All dimensions in mm

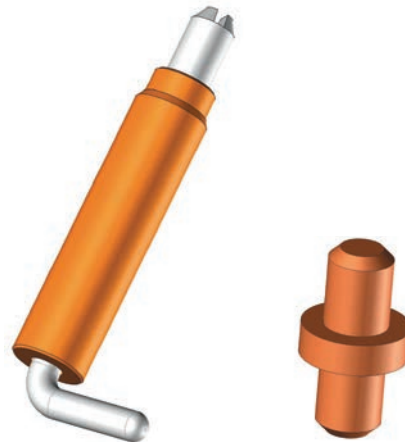
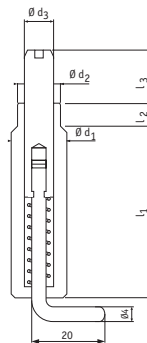
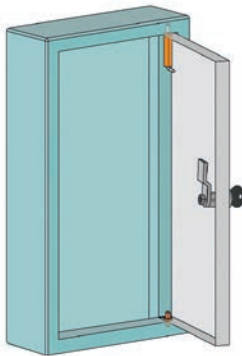
Quick Release Panel Door Hinge

Moss

SR 5510

Steel

- For internally mounted doors
- To be welded
- Can be used as a pair or with hinge pin
- Hinge rotational angle of 110°



Spring Loaded Corner Hinge

Part Number	Dimensions (mm)						Std Pack Qty
	d1	d2	d3	l1	l2	l3	
468222	10.0	8.5	6.0	38.0	3.5	10.0	100
468223	12.0	9.0	6.0	38.0	3.5	10.0	100
468224	15.0	12.0	9.0	47.0	6.0	14.5	100

Hinge Pin

Part Number	Std Pack Qty
468225	100

Side Hinges

SR 5544

Type 1 & 2: Chrome Plated Brass DIN 17672

Type 3: Die-Cast Zinc Alloy & Stainless Steel Pin

- Hinge rotational angle of 180°
- Type 1 & 2: High resistance hinge for medium and heavy door panels
- Type 1 & 2: Assembled using special screws (supplied)
- Type 1 & 2 : High security
- Type 3: Lower security alternative



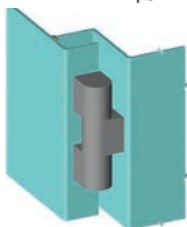
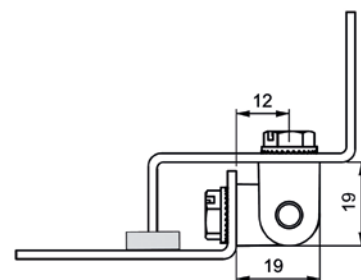
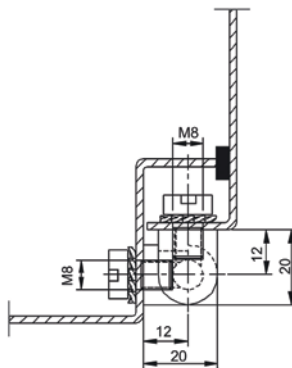
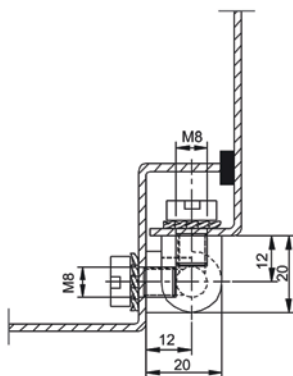
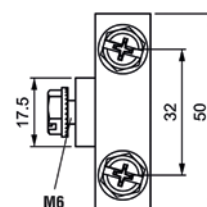
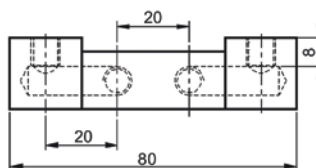
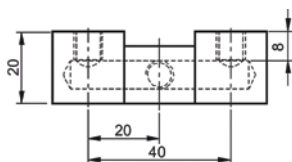
Type 1



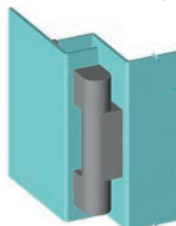
Type 2



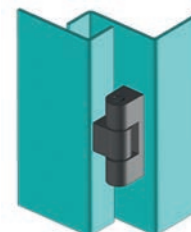
Type 3



Type 1



Type 2



Type 3

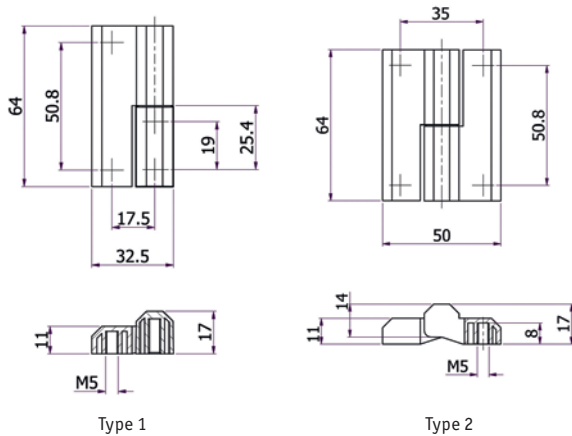
Part Number	Type	Style	Std Pack Qty
491851	1	Brass Profile Hinge	50
491852	2	Brass Profile Hinge	50
491853	3	Offset Hinge	50

Standard Lift-Off Hinge

SR 5549

Die Cast Zinc Alloy

- Easy lift off
- For flush mounted doors
- Stainless steel pin
- Hinge rotation angle of 180°
- Supplied with M5 Fixings



Type 1

Type 2

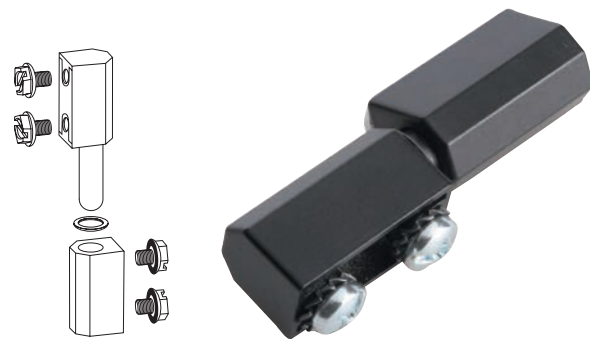
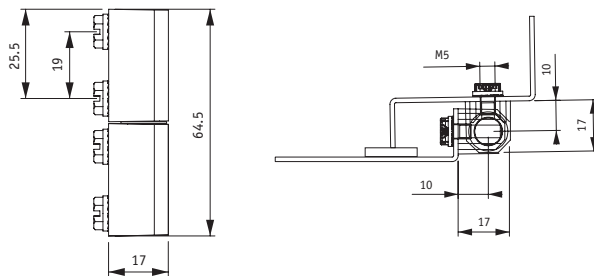
Part Number	Type	Style	Std Pack Qty
491171	1	Right Hand	50
491172	1	Left Hand	50
491173	2	Right Hand	50
491174	2	Left Hand	50

Standard Pin-On Hinge

SR 5511

Die-Cast Zinc Alloy

- Black powder coated or chrome plated
- For left or right hand doors
- Ideal for lightweight electrical panel doors
- Supplied with screws
- Hinge rotation angle 180°



Part Number		Std Pack Qty
Black Coated	Chrome	50
468226	468533	

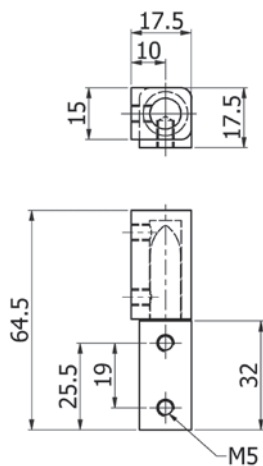
All dimensions in mm

In-Line Premium Lift-Off Hinge

SR5594

Black Powder Coated Zinc

- Allows simple and quick door removal
- Supplied with nylon washer
- Fixed using M5 screws (not supplied)
- Can be used as left or right hand
- 180° hinge rotation angle



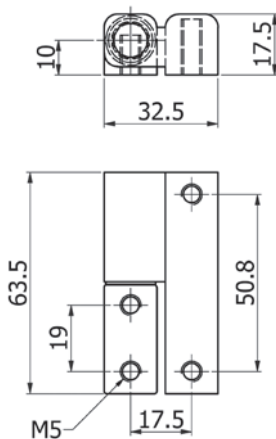
Part Number 493573	Std Pack Qty 20
-----------------------	--------------------

Premium Lift-Off Hinge

SR5593

Black Powder Coated Zinc

- Allows simple and quick door removal
- Supplied with nylon washer
- Fixed using M5 screws (not supplied)
- 180° Hinge rotation angle

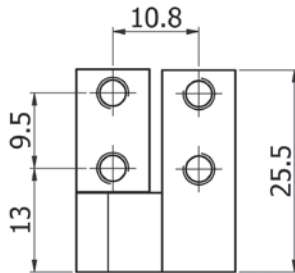
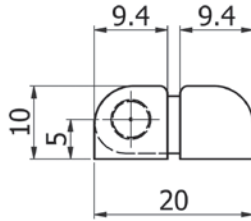


Part Number	Type	Std Pack Qty
493571	Left Hand	20
493572	Right Hand	20

Small Premium Lift-Off Hinge

SR5595

Black Powder Coated Zinc



- Allows easy, quick door removal
- Concealed fixings
- Fixed using M4 screws (not included)
- 180° Hinge rotation angle

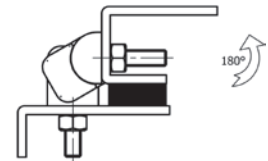
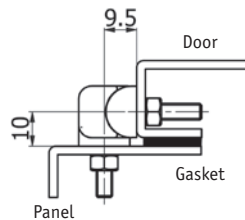
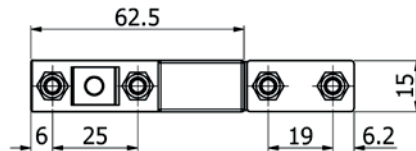
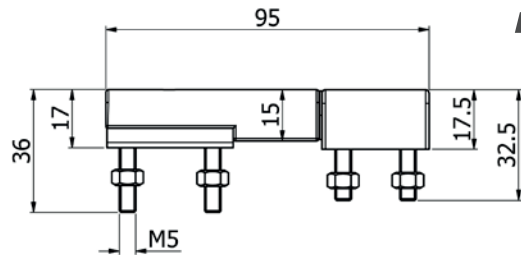
Part Number	Left Hand / Right Hand	Std Pack Qty
493574	Left Hand	40
493575	Right Hand	40

Adjustable Compression Hinge

SR 5596

Black Powder Coated Zinc

- Allows easy, quick door removal
- M5 fixings are 304 stainless steel
- Hinge provides up to 5mm adjustment



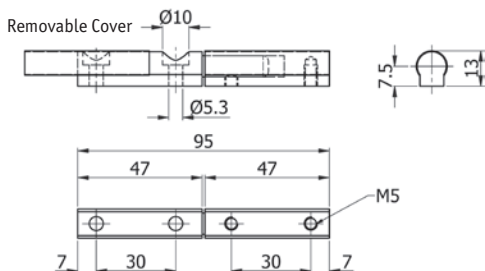
Part Number	Std Pack Qty
493576	10

Stainless Steel Pin on Hinge

SR5458

304 Stainless Steel

- Right hand or left hand operation
- Top section: rear fixing M5
- Bottom section: front fixing with M5
- Removable stainless steel cover



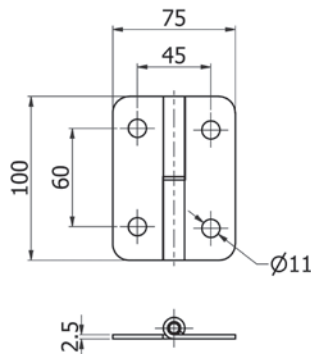
Part Number	Std Pack Qty
493867	10

Heavy Duty Lift-Off Hinge

SR5564

Steel or 304 Stainless Steel

- Stainless Steel pin on all types
- 180° rotation
- Easy lift-off function



Part Number	Left Hand / Right Hand	Material	Std Pack Qty
493767	Right	Zinc Plated Steel	20
493768	Left	Zinc Plated Steel	20
493769	Right	Black Powder Coated Steel	20
493770	Left	Black Powder Coated Steel	20
493771	Right	Stainless Steel	20
493772	Left	Stainless Steel	20

Offset Hinges

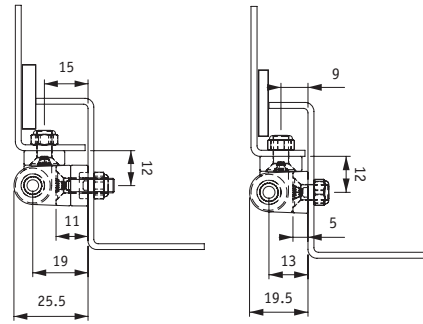
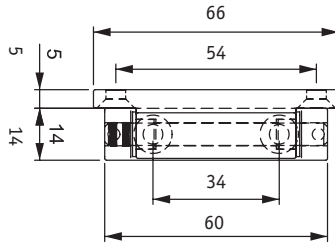
SR 5504

Die-Cast Zinc Alloy

- Black Powder Coated
- Adapter available for different dimensions
- Hinge rotational angle of 180°



Type 1

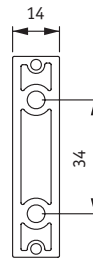


With Adaptor

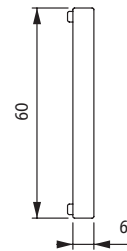
Without Adaptor



Adaptor for Type 1



Adaptor

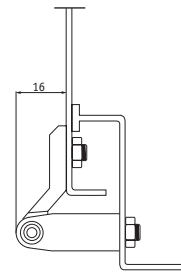
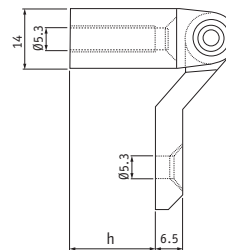
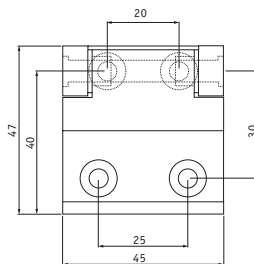


Type 1 - Stainless steel hinge pin

Part Number	Style	Std Pack Qty
468247	With Adaptor	50
468248	Without Adaptor	50



Type 2



Type 2 - Hardened steel hinge pin

Part Number	h (mm)	Std Pack Qty
468483	0.0	50
468484	5.0	50
468485	7.0	50
468486	10.0	50
468487	25.0	50

All dimensions in mm

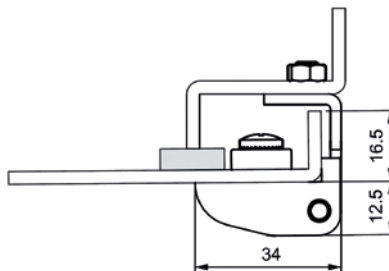
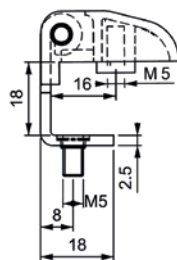
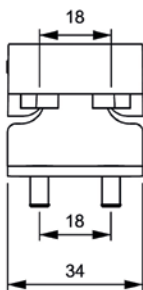
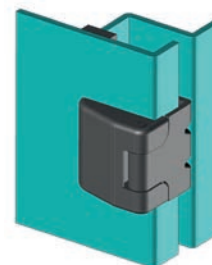
Raised Corner Hinges

SR 5509

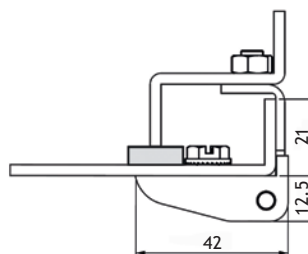
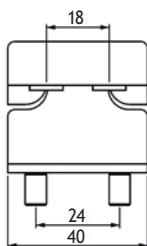
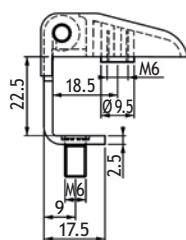
Body: Black Finish Die-Cast Zinc Alloy and Steel or PA 6 and Steel

Pin: Steel

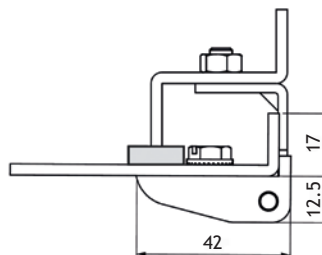
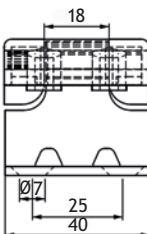
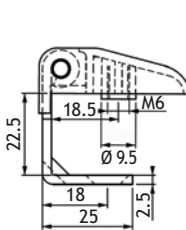
- Hinge rotation angle of 180°
- Suitable for machine covers and electric panels



Type 1



Type 2

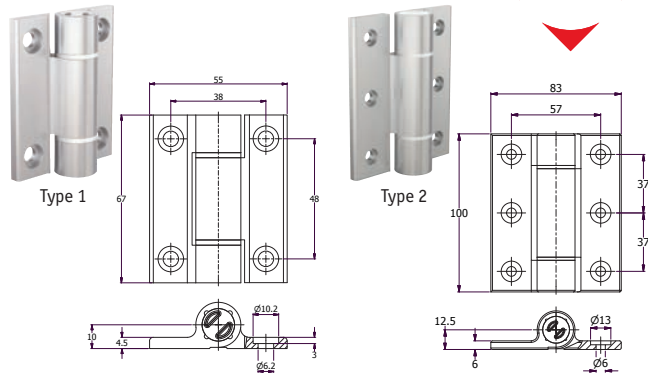


Type 3

Part Number	Type	Finish	Style	Std Pack Qty
491867	1	Zinc Alloy and Steel	M5 Stud	25
491868	1	Plastic and Steel	M5 Stud	25
491869	2	Zinc Alloy and Steel	M5 Stud	25
491870	2	Zinc Alloy and Steel	Holes	25
491871	3	Zinc Alloy and Steel	Holes	25

Spring Hinges with Concealed Mechanism

SR 6499



Aluminium

Clear anodised finish

Plug in PA-6,6 30% FG

Washer in POM

Spring in steel (Bezinal®)

- Automatic opening and closing of a door
- A completely invisible spring mechanism
- Corrosion resistant

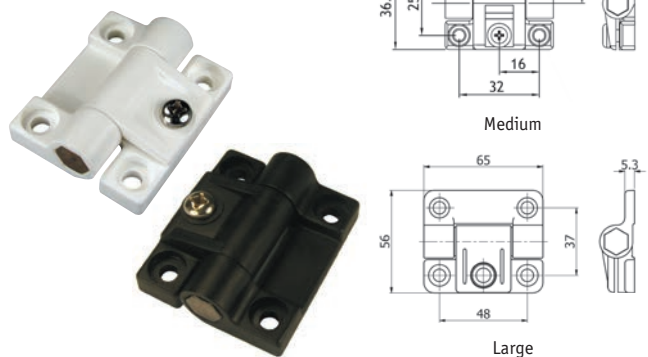
Moss

Part Number	Type	Spring Force	Std Pack Qty
550037	1	M(0°): 0.70 N.m / M(90°): 0.45 N.m / M(180°): 0.23 N.m	50
550038	1	M(0°): 1.30 N.m / M(90°): 1.10 N.m / M(180°): 0.90 N.m	50
550039	2	M(0°): 3.80 N.m / M(90°): 3.10 N.m / M(180°): 2.40 N.m	50

Adjustable Torque Hinge

SR 5311

Black or White Acetal Polymer



- Simple torque adjustment using the screw
- Used to hold doors or panels in position
- Adjusting screw is stainless steel
- Medium hinge is suitable for M4 fixings (not supplied)
- Large hinge is suitable for M6 fixings (not supplied)

Moss

Part Number	Colour	Type	Std Pack Qty
491311	Black	Medium	10
491312	White	Medium	10
493704	Black	Large	10

Torque Hinges

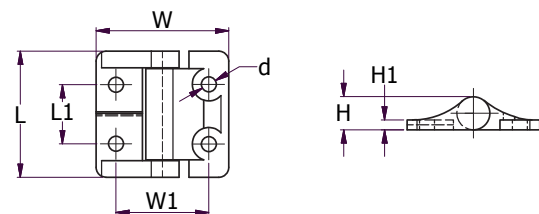
SR 5480

Die-cast Zinc Alloy



- Black coated
- Position control - constant torque
- Holds in every position
- No adjustment required
- Long cycle life

Moss



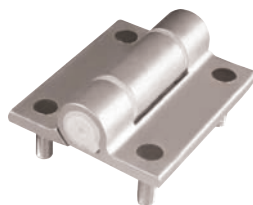
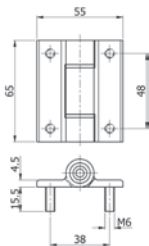
Part Number	Dimensions (mm)							Std Pack Qty
	W	w1	L	l1	H	h1	d	
498293	57	34	50.8	34.0	12.7	4.5	5.2	50
498295	40	28	38.0	17.8	10.0	3.0	4.5	50

Heavy Duty Adjustable Torque Hinge

SR 5425

Aluminium

- Adjustable Holding Torque with the aid of a setting key
- Hinge articulates and holds a panel in position
- Eliminates the need for gas strut or lid stay
- Holding torque is adjusted using hex setting screw



Male



Female

Part Number	Fixing	Finish	Tensile Strength	Shear Strength	Holding Force	Std Pack Qty
491980	M6 Female	Black Anodised	6,000N	5,000N	0 to 5 Nm	50
493479	M6 Female	Clear Anodised	6,000N	5,000N	0 to 5 Nm	50
493480	M6 Male	Clear Anodised	6,000N	5,000N	0 to 5 Nm	50
493481	M6 Male	Black Anodised	6,000N	5,000N	0 to 5 Nm	50

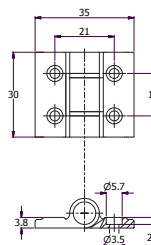
Light Duty Adjustable Torque Hinge

SR 5425

Aluminium



- Adjustable Holding Torque with the aid of a setting key
- Hinge articulates and holds a panel in position
- Eliminates the need for gas strut or lid stay
- Holding torque is adjusted using hex setting screw



Female

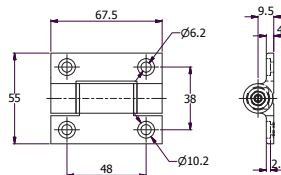
Part Number	Fixing	Finish	Tensile Strength	Shear Strength	Holding Force	Std Pack Qty
550036	M3 Female	Clear Anodised	2,240N	1,050N	0 to 1 Nm	50

Detent Hinges

SR 5467

Black Anodised Aluminium 6060 T5

- Hinges are indented every 30° allowing panels to be positioned and maintained without auxiliary components
- 3 torque values are available
- Rotation angle from 180° up to 270° depending on fitting
- Torque is a factory preset and cannot be modified by users
- Non-handed fitting
- Weight: 106g



Part Number	Torque (N.m)	Dimensions (mm)				Std Pack Qty
		L	W	H	D	
497564	1.8	67	55	4.5	13	25
497565	2.5	67	55	4.5	13	25
497566	3.2	67	55	4.5	13	25
497567	4.5	67	55	4.5	13	25

Stand-Off Hinges

SR 5330

Glass Filled Nylon

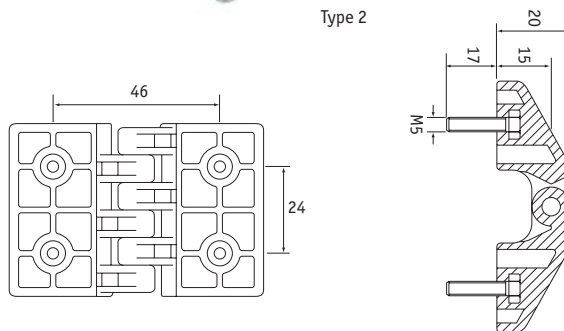
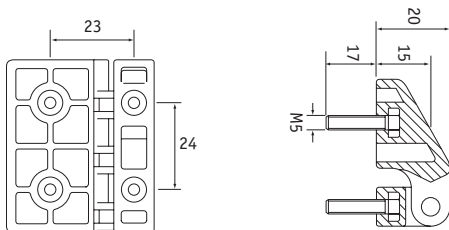
Moss



Type 1



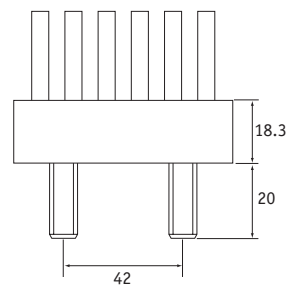
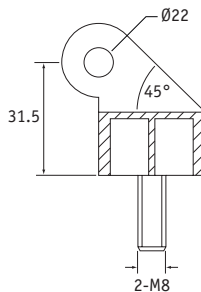
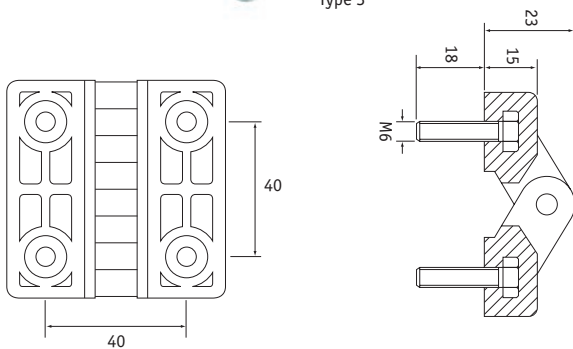
Type 2



Type 3



Type 4



Hinges with Metal Threads

Part Number	Type	Std Pack Qty
466238	1	2
466239	2	2
466240	3	2
466241	4	2

All dimensions in mm

CONTINUED ON NEXT PAGE

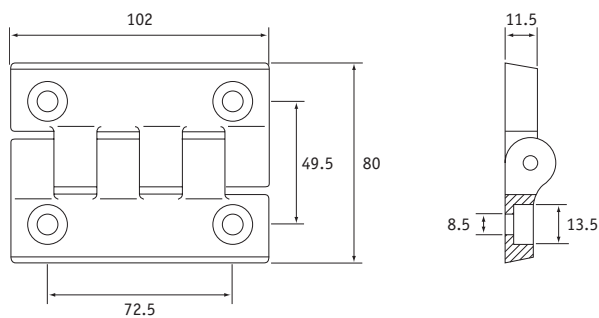
Stand-Off Hinge *CONTINUED*

SR 5330

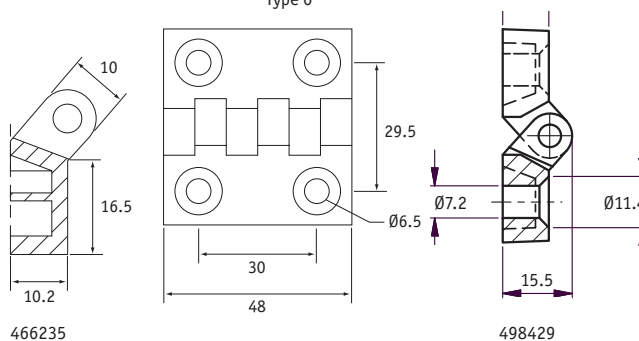
Glass Filled Nylon



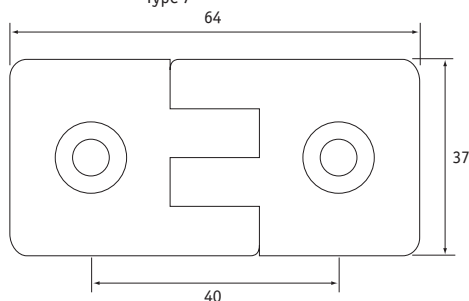
Type 5



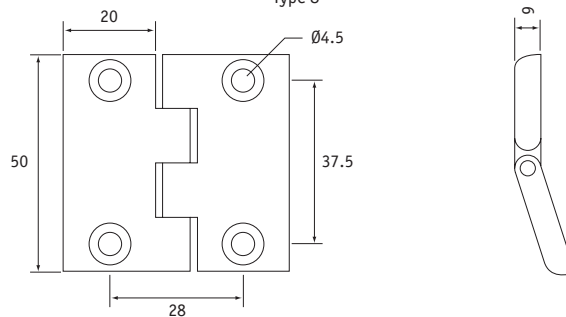
Type 6



Type 7



Type 8



Hinges with Plain Bore Holes

All dimensions in mm

Part Number	Type	Std Pack Qty
466234	5	2
466235	6	2
498429	6	2
466236	7	2
466237	8	2

Stand-off Hinges *CONTINUED*

SR 5330

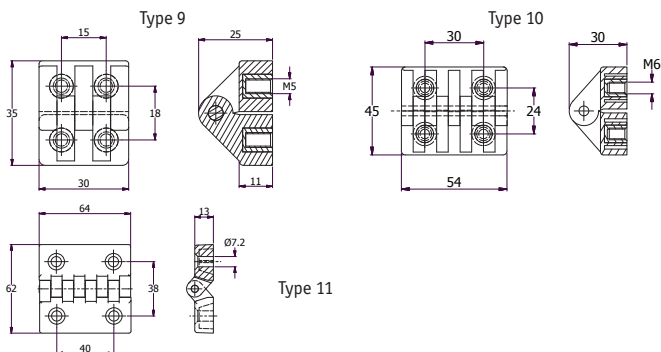
Black Nylon



- Resistant to oil, greases and most industrial chemicals
- Matt black finish
- Type 9 and 10 - with brass inserts
- Type 11 - without brass inserts

Moss

Part Number	Type	Std Pack Qty
498427	9	2
498428	10	2
498430	11	2



HVAC Hinge

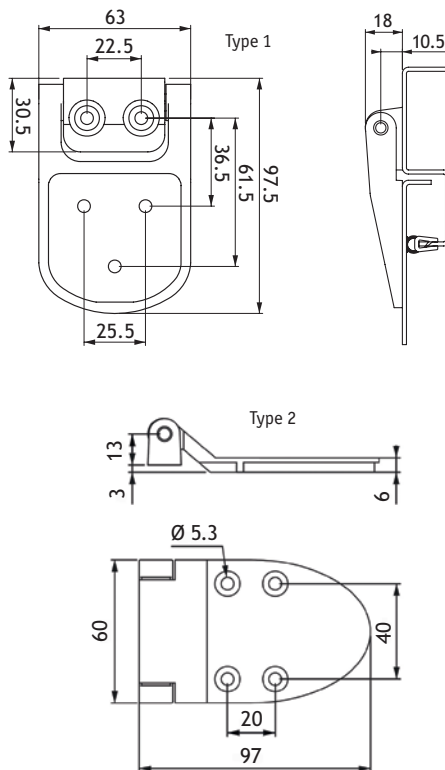
SR 5502

Type 1: Polyamide 30% Glass Fibre Reinforced

Type 2: Black Coated Die-Cast Zinc Alloy

- Type 1 & 2: Stainless steel pin
- Specially designed for air conditioning central units
- Also used for plain / flush mounted heavy doors
- Hinge rotation angle 180°

Moss



All dimensions in mm

Type 1: Polyamide 30% Glass Fibre Reinforced

Part Number	Std Pack Qty
468191	25

Type 2: Die-Cast Zinc Alloy

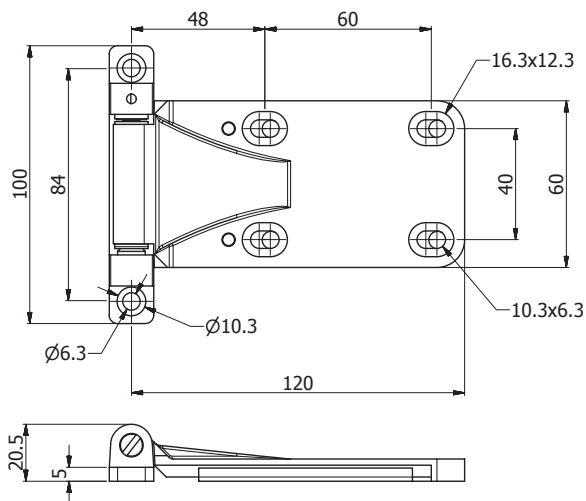
Part Number	Std Pack Qty
491874	25

3D Adjustable HVAC Hinge

SR 5565

Black Coated Die Cast Zinc Alloy

- Allows three dimensional adjustments
- Height ± 2 mm, Width ± 2 mm, Depth ± 2 mm
- Ideal for large flush fitting doors
- Suitable for Air conditioning, electrical panels and machinery covers
- Stainless steel pin



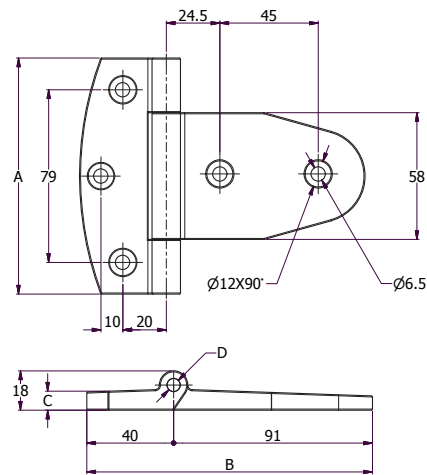
Part Number	Type	Std Pack Qty
493773	Right Hand	20
493774	Left Hand	20

Generator Hinge

SR 6494

Polyamide

Nickel Plated Steel Pin



Moss

Part Number	Dimensions (mm)				Std Pack Qty
	A	B	C	D	
550068	108	131	9.5	6	20

Torque Hinges (Dual Axis)

SR 6493

Stainless Steel

- Free stop at any angle in tilt and swivel
- Provide torque stability in both directions
- Suitable for monitor screen
- For detailed drawings please refer to our website



Type 1

Type 2

Type 1:

Torque: 2.9N.m tilting

Torque: 1.4N.m swiveling

Moss

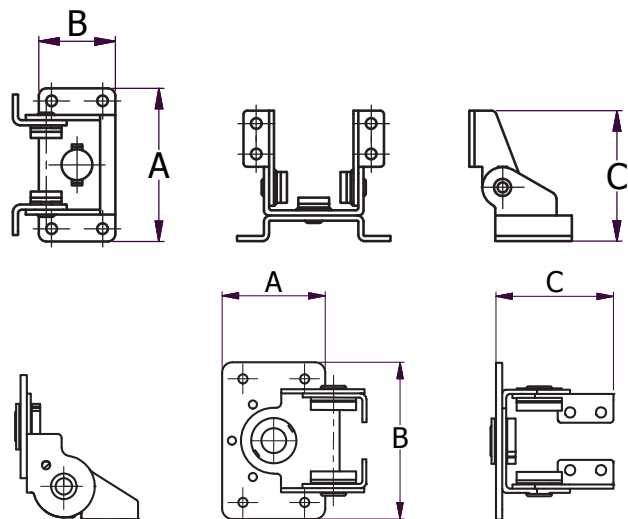
Part Number	Dimensions (mm)			Std Pack Qty
	A	B	C	
550070	60	30	51.4	20

Type 2:

Torque: 7N.m tilting

Torque: 3N.m swiveling

Part Number	Dimensions (mm)			Std Pack Qty
	A	B	C	
550069	50	76	54	20

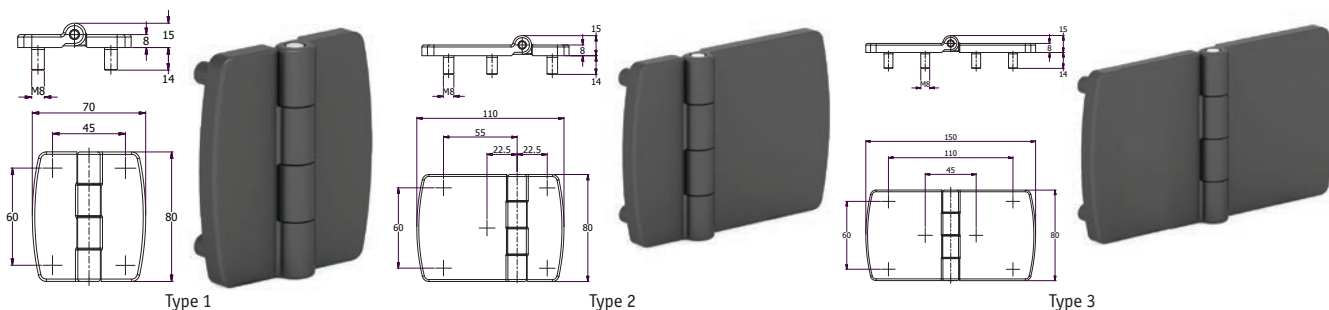


Heavy Duty Hinges

SR 5744

Body: Die-cast Zinc Alloy

Pin: Stainless Steel



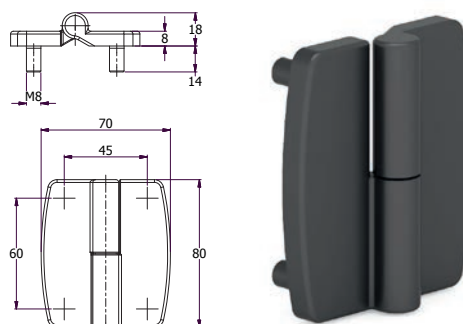
Part Number		Type	Dimensions (mm)		Std Pack Qty
Chrome Plated	Black Coated		H	L	
551549	551550	1	80	70	25
551551	551552	2	80	110	25
551553	551554	3	80	150	20

Heavy Duty Designed Hinges

SR 5745

Body: Die-cast Zinc Alloy

Pin: Stainless Steel



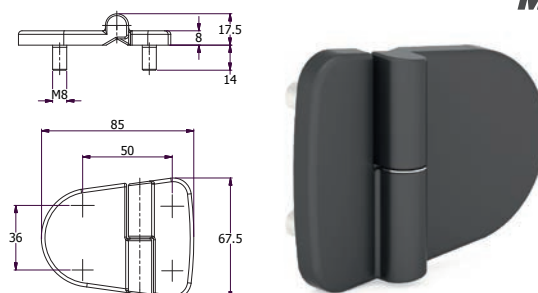
Part Number		Hand	Dimensions (mm)		Std Pack Qty
Chrome Plated	Black Coated		H	L	
551555	551557	Right	80	70	20
551556	551558	Left	80	70	20

Heavy Duty Designed Hinges

SR 5746

Body: Die-cast Zinc Alloy

Pin: Stainless Steel



Part Number		Hand	Dimensions (mm)		Std Pack Qty
Chrome Plated	Black Coated		H	L	
551559	551561	Right	67.5	85	20
551560	551562	Left	67.5	85	20